



E164D Technical Data Sheet



		CONTROL SYSTEM	SELF EXCITED
INSULATION SYSTEM	CLASS H	A.V.R.	AS440
PROTECTION	IP23	VOLTAGE REGULATION	±1.0 %
WINDING PITCH	2/3	SUSTAINED SHORT CIRCUIT	NOT
WINDING LEADS	12	WAVEFORM DISTORTION	NO LOAD < 1.5% NON-DISTORTING BALANCED LINEAR LOAD < 5.0%
MAXIMUM / OVERSPEED	2250 Rev/Min	TELEPHONE INTERFERENCE: THF	THF < 2%
		TELEPHONE INTERFERENCE: TIF	TIF < 50

50Hz CLASS "H"

RATINGS		Winding 311 / 0.8 Power Factor						Winding 05		
Duty/Ambient T°. RISE		Cont.125K/40°C				Cont.125K/40°C		Cont.125K/40°C		
PHASE		3 PHASE				1 PHASE		1 PHASE		
SERIES STAR		380	400	415	440				Power Factor	
PARALLEL STAR		190	200	208	220			0.8	1	
SERIES DELTA		220	230	240	254					
DOUBLE DELTA						220	230	240	220, 230, 240	
SLG164D	KVA	16	16	16	13.5	9.3	9.3	9.3	10.8	13.0
	KW	12.8	12.8	12.8	10.8	7.4	7.4	7.4	8.6	13.0

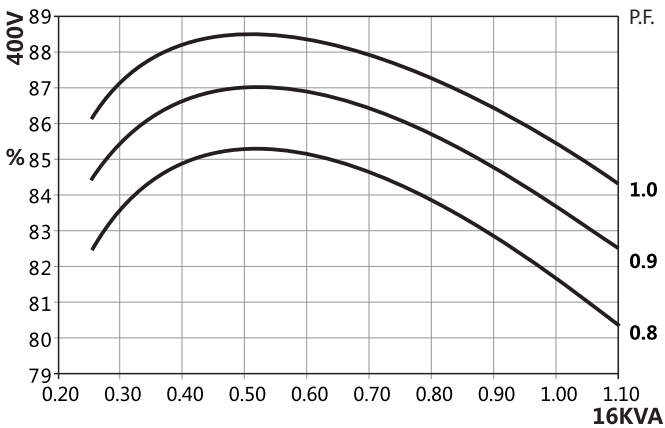
60Hz CLASS "H"

RATINGS		Winding 311 / 0.8 Power Factor						Winding 06		
Duty/Ambient T°. RISE		Cont.125K/40°C				Cont.125K/40°C		Cont.125K/40°C		
PHASE		3 PHASE				1 PHASE		1 PHASE		
SERIES STAR		416	440	460	480				Power Factor	
PARALLEL STAR		208	220	230	240			0.8	1	
SERIES DELTA		240	254	266	277					
DOUBLE DELTA						220	230	240	220, 230, 240	
SLG164D	KVA	18.9	20	20	20	10	10.5	11	13.5	16.5
	KW	15.1	16	16	16	8	8.4	8.8	10.8	16.5

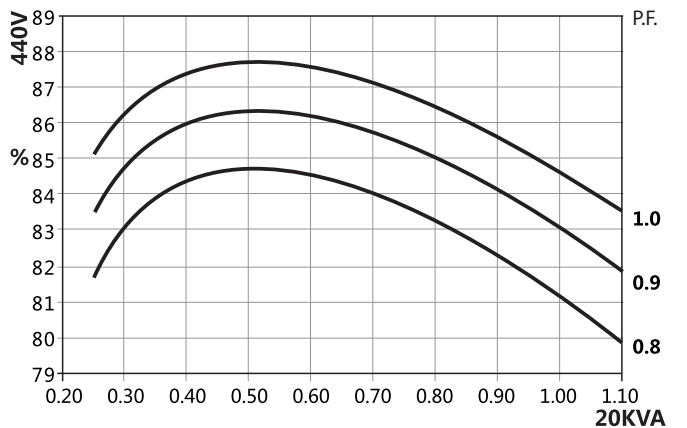
REACTANCES , TIME CONSTANTS (s) : CLASS : H / 400 V

	SLG164D	
	50Hz/400V	60Hz/440V
Xd DIR. AXIS SYNCHRONOUS	1.734	2.149
X'd DIR. AXIS TRANSIENT	0.177	0.219
X''d DIR. AXIS SUBTRANSIENT	0.111	0.138
Xq QUAD. AXIS REACTANCE	0.861	1.068
X''q QUAD. AXIS SUBTRANSIENT	0.199	0.246
XL LEAKAGE REACTANCE	0.070	0.087
X2 NEGATIVE SEQUENCE	0.166	0.206
X0 ZERO SEQUENCE	0.075	0.093
T'd TRANSIENT TIME CONST. (s)	0.018	
T''d SUB-TRANSTIME CONST. (s)	0.0045	
T'do O.C. FIELD TIME CONST. (s)	0.35	
Ta ARMATURE TIME CONST. (s)	0.0055	
SHORT CIRCUIT RATIO	1/ Xd	

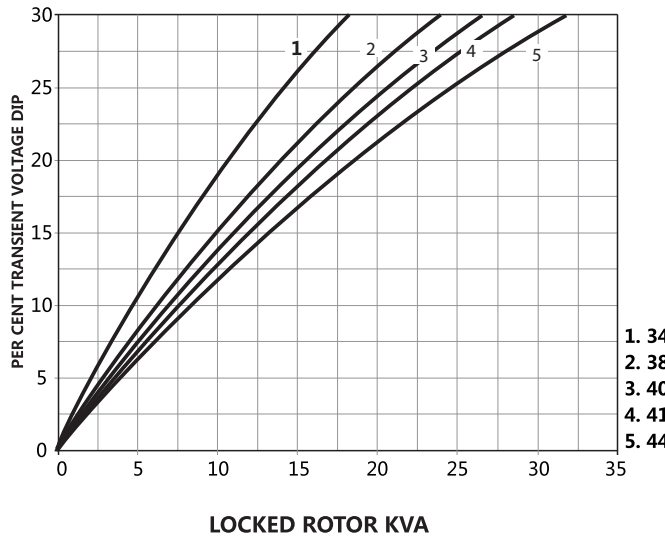
50Hz 400V Winding 311 THREE PHASE EFFICIENCY CURVES



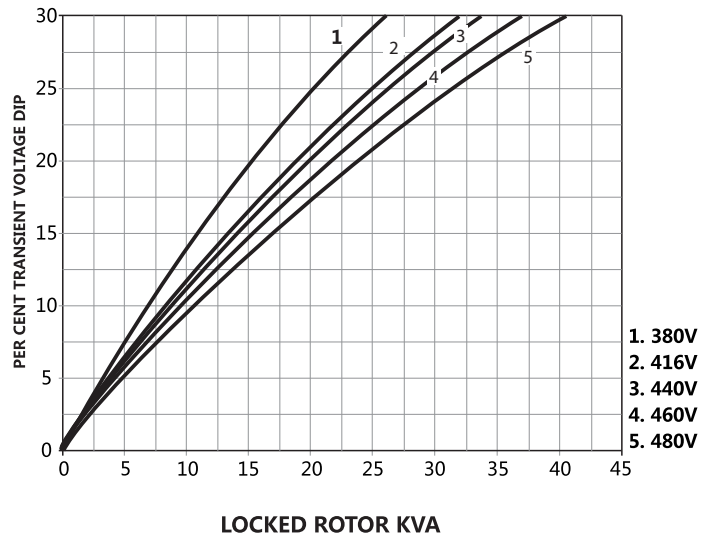
60Hz 440V Winding 311 THREE PHASE EFFICIENCY CURVES



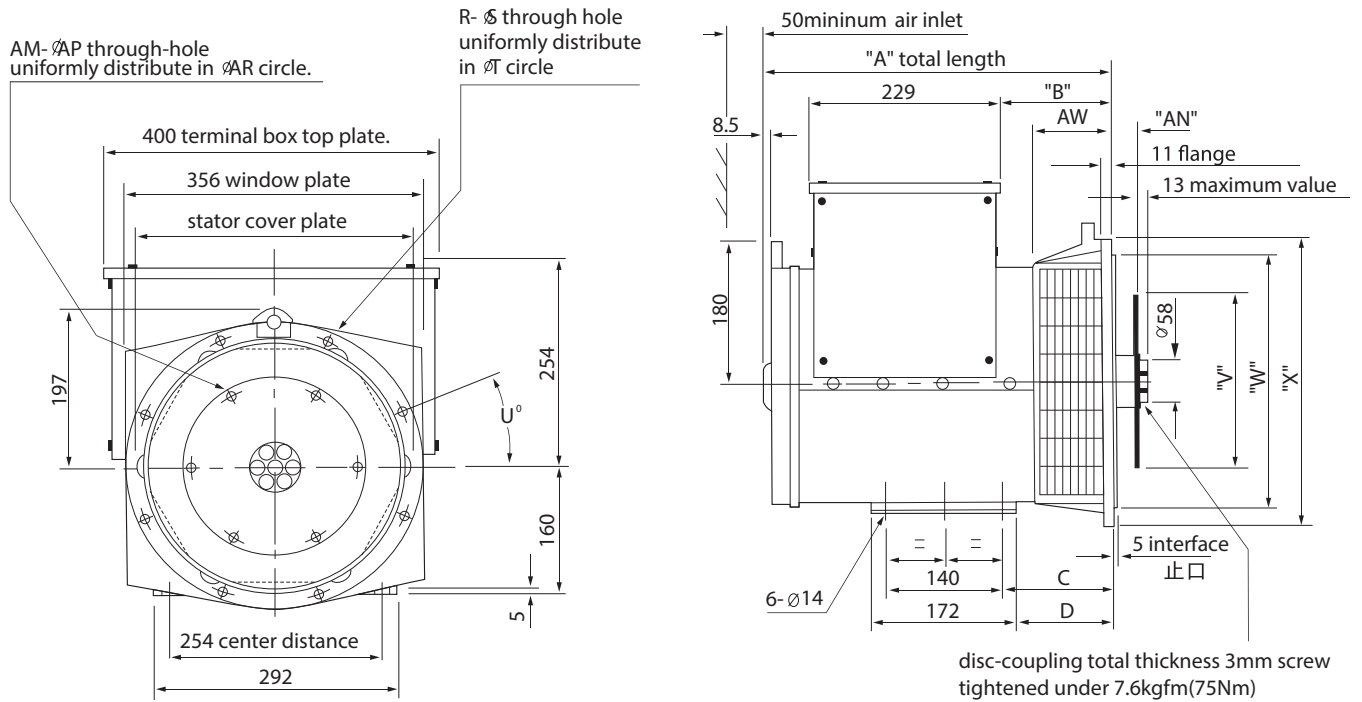
50Hz 400V Winding 311 Locked Rotor Motor Starting Curve



60Hz Winding 311 Locked Rotor Motor Starting Curve



Single bearing external dimension



DIMENSION (mm)						
Model	A			B		
	SAE2	SAE3/5	SAE4	SAE2	SAE3/5	SAE4
SLG164D	416.3	403.5	391.5	146.3	119	107

FLANGE (mm)									
S.A.E.NO.	AW	R	S	T	U°	W	X	C	D
3	105	8	11	428.6	15	409.5	451	145	129
4	93	8	11	381.0	15	361.9	402	133	117
5	105	8	11	333.3	22.5	314.3	356	145	129
6*	124.7	8	11	285.8	22.5	266.7	308	164.7	148.7

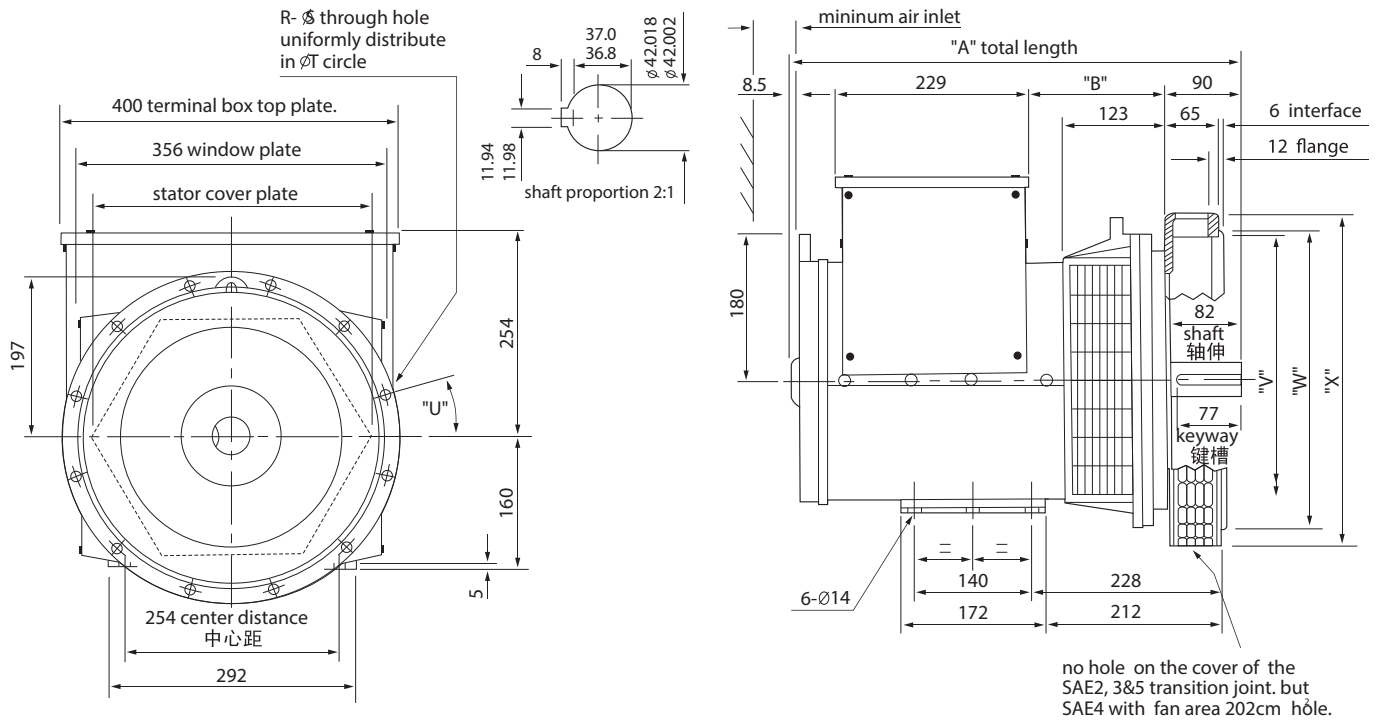
DISC COUPLING (mm)					
S.A.E.NO.	AN	AM	AP	AR	V
6.5	30.16	6	8.7	200.0	215.8
7.5	30.16	8	8.7	222.2	241.2
8	61.9	6	11	244.5	263.4
10	53.98	8	11	295.3	314.2
11.5	39.68	8	11	333.4	352.3

SAE NO SELECTOR CHOWT					
	SAE 6.5	SAE 7.5	SAE 8	SAE 10	SAE 11.5
SAE 3	•	•		•	•
SAE 4		•	•	•	
SAE 5	•	•			
SAE 6	•				

TRANSPORTATION DATA				
Model	N.W(kg)	G.W(kg)	LXWXH(cm)	QTY FOR 20FT CONTAINER
SLG164D	99	116	58x56x62	90

Note:* "A" dimension should extend 31.77mm corresponding to an additional spacer plate added on SAE6.

Double bearing external dimension



DIMENSION (mm)		
Model	A	B
SLG164D	511.5	137

FLANGE (mm)							
S.A.E.NO.	R	S	T	U°	V	W	X
3	12	11	428.6	15	396	409.5	451
4	12	11	381.0	15	352	361.9	403
5	8	11	333.3	22.5	301	314.3	356

TRANSPORTATION DATA				
型号 Model	N.W(kg)	G.W(kg)	LXWXH(cm)	QTY FOR 20FT CONTAINER
SLG164D	112	122	64x56x62	90