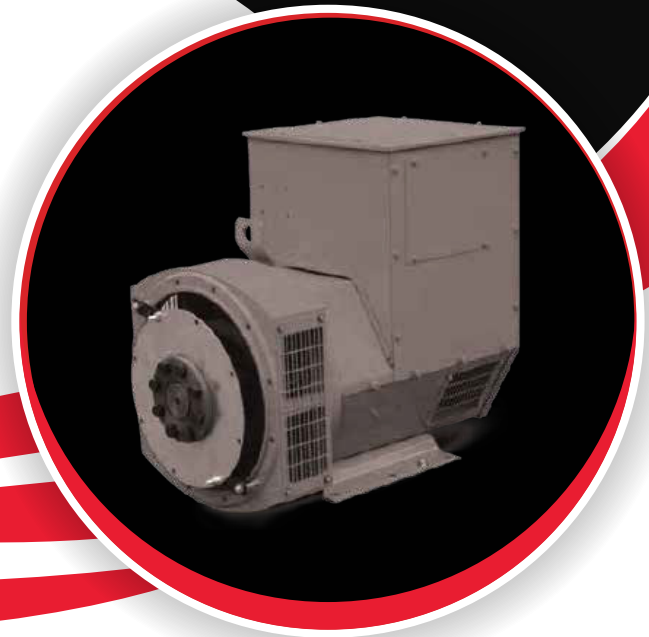


E184E Technical Data Sheet



		CONTROL SYSTEM	SELF EXCITED
INSULATION SYSTEM	CLASS H	A.V.R.	AS440
PROTECTION	IP21	VOLTAGE REGULATION	±1.0 %
WINDING PITCH	2/3	SUSTAINED SHORT CIRCUIT	NOT
WINDING LEADS	12	WAVEFORM DISTORTION	NO LOAD < 1.5% NON-DISTORTING BALANCED LINEAR LOAD < 5.0%
MAXIMUM / OVERSPEED	2250 Rev/Min	TELEPHONE INTERFERENCE: THF	THF < 2%
		TELEPHONE INTERFERENCE: TIF	TIF < 50

50Hz CLASS "H"

RATINGS		Winding 311 / 0.8 Power Factor								Winding 05				
Duty/Ambient T°. RISE		Cont.125K/40°C				Standby - 150/40°				Cont.125K/40°C			Cont.125K/40°C	
PHASE		3 PHASE								1 PHASE			1 PHASE	
SERIES STAR		380	400	415	440	380	400	415	440				Power Factor	
PARALLEL STAR		190	200	208	220	190	200	208	220				0.8	1
SERIES DELTA		220	230	240	254	220	230	240	254					
DOUBLE DELTA										220	230	240	220, 230, 240	
SLG184E	KVA	22.5	22.5	22.5	17.5	N/A				13	13	13	15.0	16.6
	KW	18	18	18	14	N/A				10.4	10.4	10.4	12.0	16.6

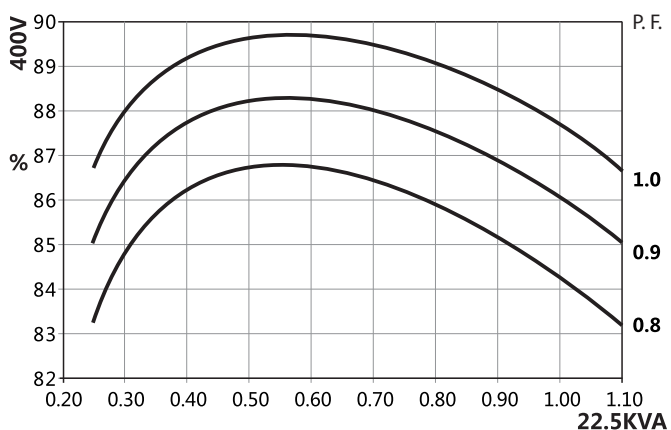
60Hz CLASS "H"

RATINGS		Winding 311 / 0.8 Power Factor								Winding 06				
Duty/Ambient T°. RISE		Cont.125K/40°C				Standby - 150/40°				Cont.125K/40°C			Cont.125K/40°C	
PHASE		3 PHASE								1 PHASE			1 PHASE	
SERIES STAR		416	440	460	480	416	440	460	480				Power Factor	
PARALLEL STAR		208	220	230	240	208	220	230	240				0.8	1
SERIES DELTA		240	254	266	277	240	254	266	277					
DOUBLE DELTA										220	230	240	220, 230, 240	
SLG184E	KVA	27.5	28.8	28.8	28.8	N/A				14.6	15.3	16	18.4	21.0
	KW	22	23	23	23	N/A				11.7	12.2	12.8	14.7	21.0

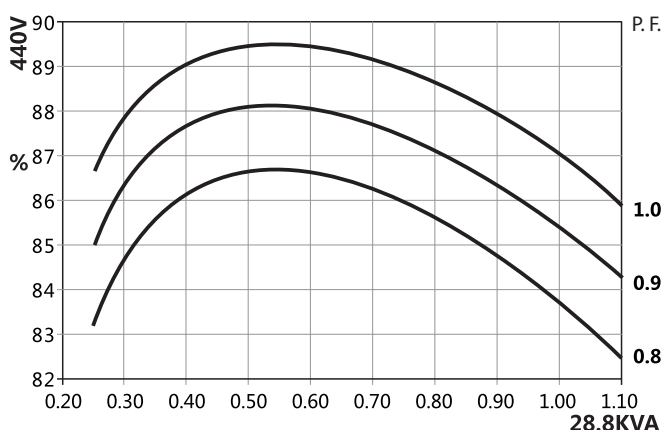
REACTANCES , TIME CONSTANTS (s) : CLASS : H / 400 V

	SLG184E	
	50Hz/400V	60Hz/440V
Xd DIR. AXIS SYNCHRONOUS	1.690	2.148
X'd DIR. AXIS TRANSIENT	0.170	0.217
X''d DIR. AXIS SUBTRANSIENT	0.110	0.137
Xq QUAD. AXIS REACTANCE	0.840	1.063
X''q QUAD. AXIS SUBTRANSIENT	0.190	0.240
XL LEAKAGE REACTANCE	0.068	0.087
X2 NEGATIVE SEQUENCE	0.160	0.194
X0 ZERO SEQUENCE	0.073	0.093
T'd TRANSIENT TIME CONST. (s)	0.02	
T''d SUB-TRANSTIME CONST. (s)	0.005	
T'do O.C. FIELD TIME CONST. (s)	0.4	
Ta ARMATURE TIME CONST. (s)	0.006	
SHORT CIRCUIT RATIO	1/ Xd	

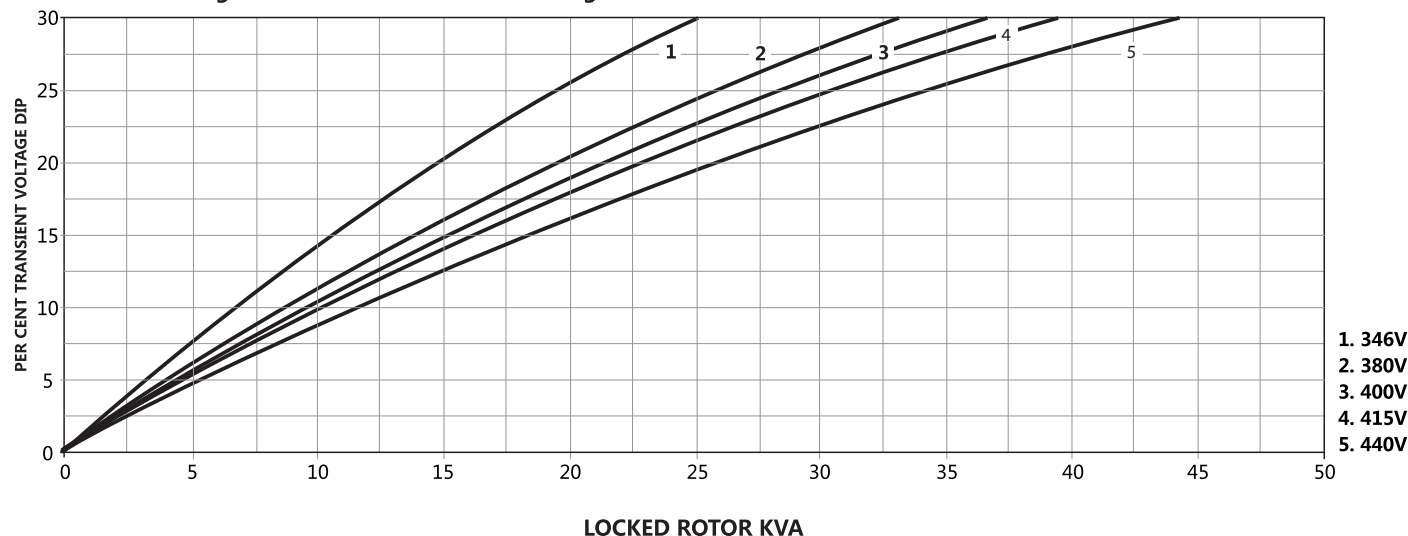
50Hz 400V Winding 311 THREE PHASE EFFICIENCY CURVES



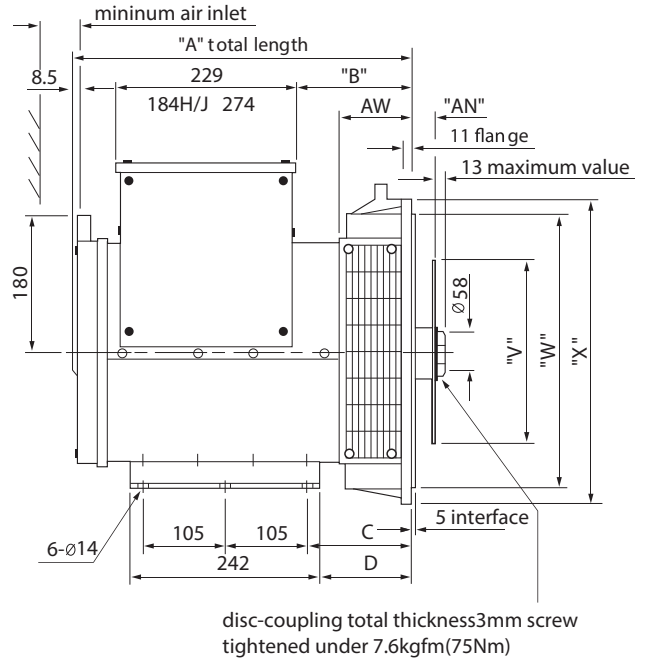
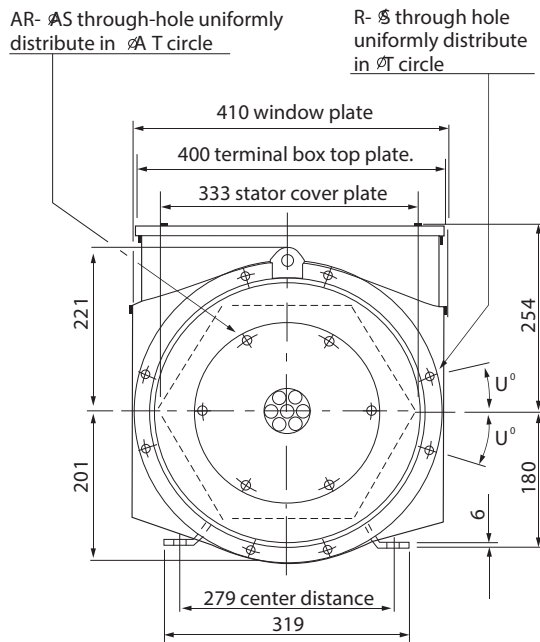
60Hz 440V Winding 311 THREE PHASE EFFICIENCY CURVES



50Hz 400V Winding 311 Locked Rotor Motor Starting Curve



Single bearing external dimension



S.A.E.NO.	DIMENSION (mm)					
	A			B		
	SAE3	SAE4	SAE5	SAE3	SAE4	SAE5
SLG184E	443.5	431.5	443.5	159	147	159

S.A.E.NO.	FLANGE (mm)								
	AW	R	S	T	UO	W	X	C	D
3	105	8**	11	428.6	15	409.5	451	145	129
4	93	8	11	381.0	15	361.9	402	133	117
5	125(105)***	8	11	333.3	22.5	314.3	356	165(145)***	149(129)***
6*	124.7	8	11	285.8	22.5	266.7	308	164.7	148.7

NOTE:* "A" dimension should extend 311.77mm corresponding to an additional spacer plate added on SAE6

** 8 holes of SAE3 uniformly distribute on the circle spaced as 12.

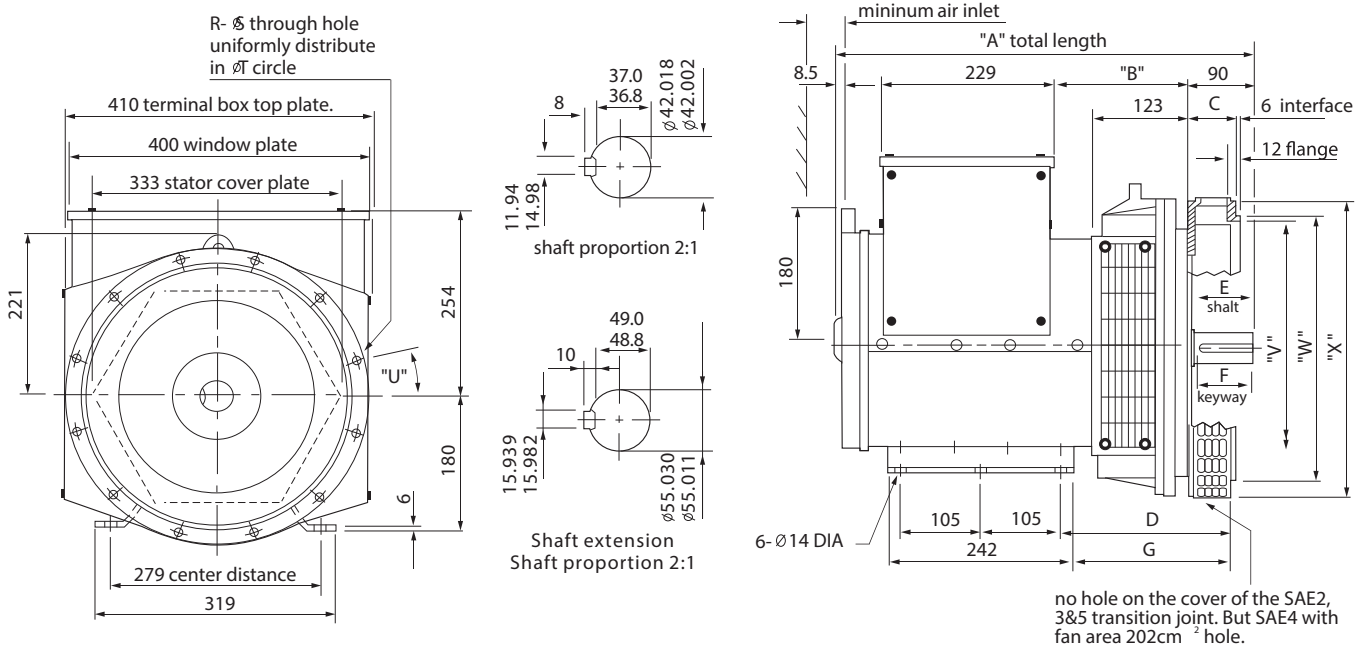
*** The AW dimension of 184E should be 105,C dimension is 145,D dimension is 129.

S.A.E.NO.	DISC COUPLING (mm)					
	AN	AR	AS	AT	V	
6.5 ^A	30.16	6	8.7	200.0	215.8	
7.5 ^A	30.16	8	8.7	222.2	241.2	
8	61.9	6	11	244.5	263.4	
10	53.98	8	11	295.3	314.2	
11.5	39.68	8	11	333.4	352.3	

	SAE NO SELECTOR CHOWT				
	SAE 6.5	SAE 7.5	SAE 8	SAE 10	SAE 11.5
SAE 3	•	•		•	•
SAE 4		•	•	•	
SAE 5	•	•			
SAE 6	•				

TRANSPORTATION DATA				
型号 Model	N.W(kg)	G.W(kg)	LXWXH(cm)	QTY FOR 20FT CONTAINER
SLG184E	120	133	64x56x62	90

Double bearing external dimension



DIMENSION							
型号 Model	A	B	C	D	E	F	G
SLG184E	551.5	177	65	228	82	77	212
FLANGE (mm)							
S.A.E.NO.	R	S	T	U ^o	V	W	X
3	12	11	428.6	15	396	409.5	451
4	12	11	381.0	15	352	361.9	403
5	8	11	333.3	22.5	301	314.3	356
TRANSPORTATION DATA							
型号 Model	N.W(kg)	G.W(kg)	LXWXH(cm)	QTY FOR 20FT CONTAINER			
SLG184E	131	141	71.5x56x62	90			