

E224E Technical Data Sheet



		CONTROL SYSTEM	SELF EXCITED
INSULATION SYSTEM	CLASS H	A.V.R.	AS440
PROTECTION	IP23	VOLTAGE REGULATION	±1.0 %
WINDING PITCH	2/3	SUSTAINED SHORT CIRCUIT	NOT
WINDING LEADS	12	WAVEFORM DISTORTION	NO LOAD < 1.5% NON-DISTORTING BALANCED LINEAR LOAD < 5.0%
MAXIMUM / OVERSPEED	2250 Rev/Min	TELEPHONE INTERFERENCE: THF	THF < 2%
		TELEPHONE INTERFERENCE: TIF	TIF < 50

50Hz CLASS "H"

RATINGS		Winding 311 / 0.8 Power Factor										Winding 05			
Duty/Ambient T°. RISE		Cont.125K/40°C				Standby - 150/40°				Cont.125K/40°C			Cont.125K/40°C		
PHASE		3 PHASE								1 PHASE			1 PHASE		
SERIES STAR		380	400	415	440	380	400	415	440						Power Factor
PARALLEL STAR		190	200	208	220	190	200	208	220				0.8	1	
SERIES DELTA		220	230	240	254	220	230	240	254						
DOUBLE DELTA										220	230	240	220, 230, 240		
SLG224E	KVA	60	60	60	45	61	61	61	45.8	40	40	40	40.0	40.0	
	KW	48	48	48	36	48.8	48.8	48.8	36.6	32	32	32	32.0	40.0	

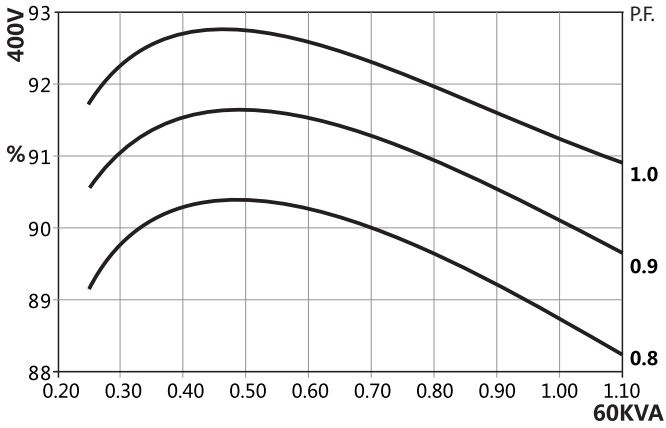
60Hz CLASS "H"

RATINGS		Winding 311 / 0.8 Power Factor										Winding 06			
Duty/Ambient T°. RISE		Cont.125K/40°C				Standby - 150/40°				Cont.125K/40°C			Cont.125K/40°C		
PHASE		3 PHASE								1 PHASE			1 PHASE		
SERIES STAR		416	440	460	480	416	440	460	480						Power Factor
PARALLEL STAR		208	220	230	240	208	220	230	240				0.8	1	
SERIES DELTA		240	254	266	277	240	254	266	277						
DOUBLE DELTA										220	230	240	220, 230, 240		
SLG224E	KVA	67.5	70	72.5	75	70	73.8	73.8	78.8	41.3	43.1	45	47.3	47.3	
	KW	54	56	58	60	56	59	59	63	33	34.5	36	37.8	47.3	

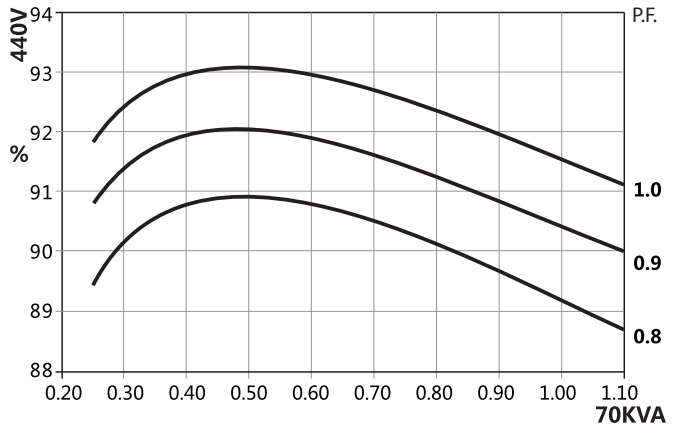
REACTANCES , TIME CONSTANTS (s) : CLASS : H / 400 V

	SLG224E	
	50Hz/400V	60Hz/440V
Xd DIR. AXIS SYNCHRONOUS	2.24	2.78
X'd DIR. AXIS TRANSIENT	0.17	0.20
X''d DIR. AXIS SUBTRANSIENT	0.12	0.14
Xq QUAD. AXIS REACTANCE	1.02	1.28
X''q QUAD. AXIS SUBTRANSIENT	0.18	0.13
XL LEAKAGE REACTANCE	0.08	0.08
X2 NEGATIVE SEQUENCE	0.12	0.13
X0 ZERO SEQUENCE	0.10	0.08
T'd TRANSIENT TIME CONST. (s)	0.028	
T''d SUB-TRANSTIME CONST. (s)	0.007	
T'do O.C. FIELD TIME CONST. (s)	0.7	
Ta ARMATURE TIME CONST. (s)	0.006	
SHORT CIRCUIT RATIO	1/ Xd	

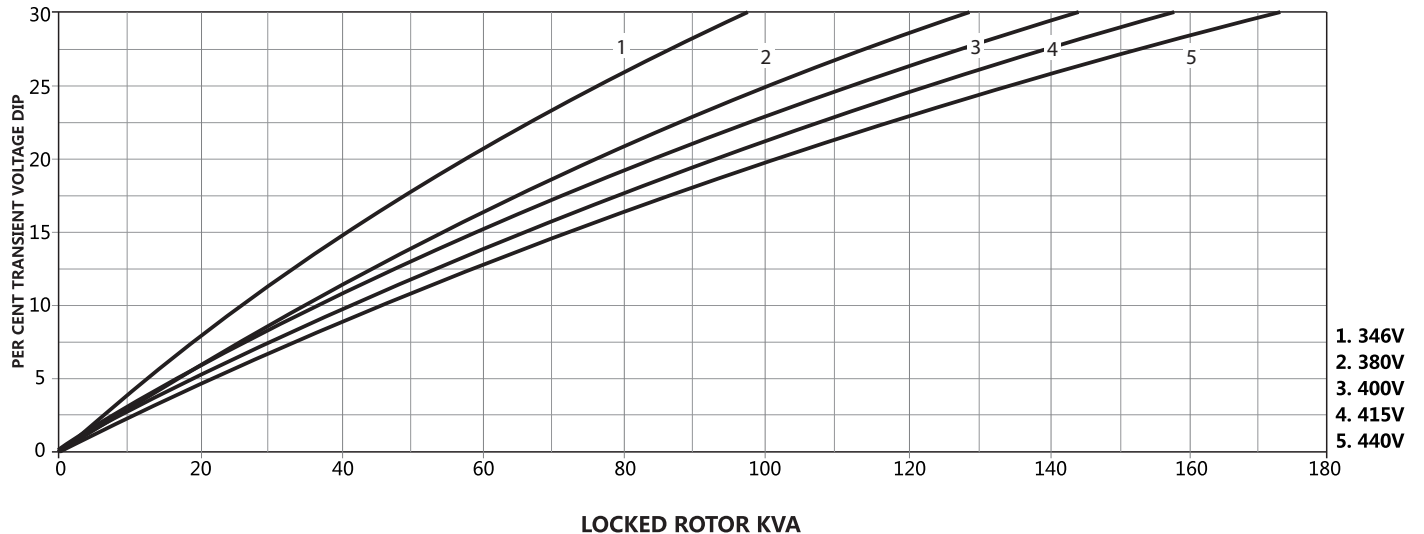
50Hz 400V Winding 311 THREE PHASE EFFICIENCY CURVES



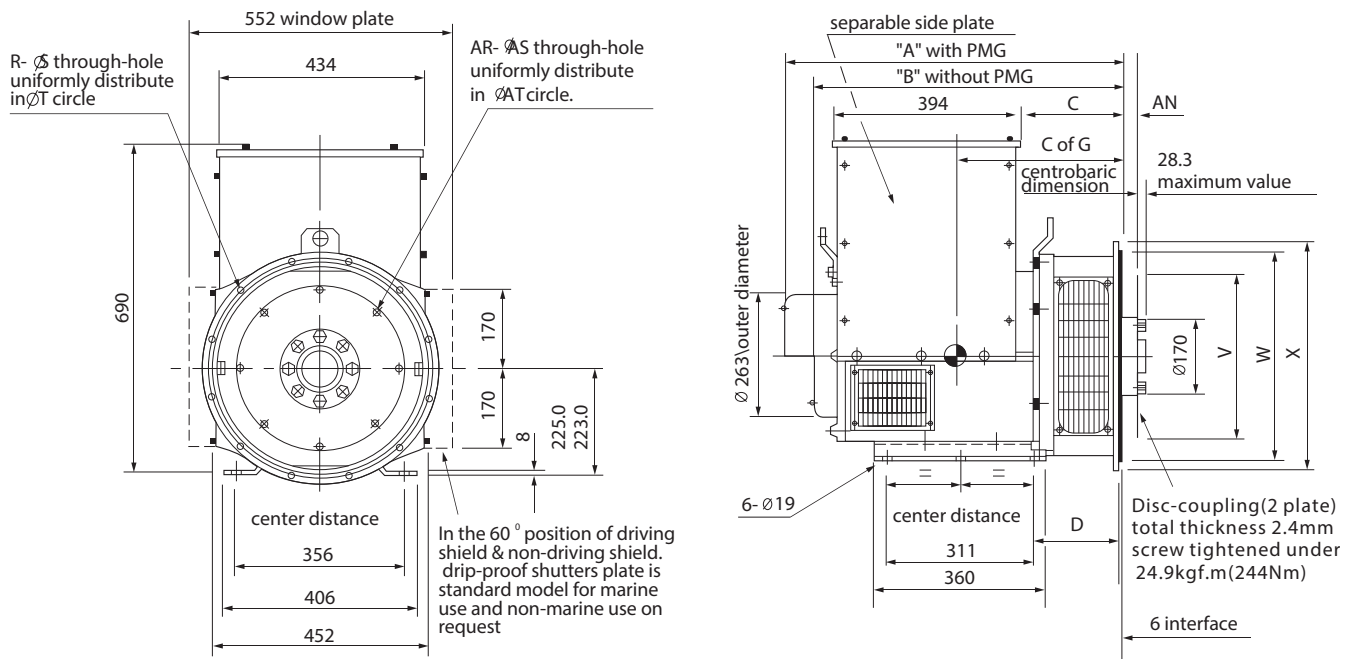
60Hz 440V Winding 311 THREE PHASE EFFICIENCY CURVES



50Hz 400V Winding 311 Locked Rotor Motor Starting Curve



Single bearing external dimension



DIMENSION (mm)

	Model	A	B	C	Cof G
SAE1.2.4	SLG224E	824	761	323.5	348
SAE3	SLG224E	800	737	300	336

DISC COUPLING (mm)

S.A.E.NO.	AN	AR	AS	AT	V
8	61.9	6	10.3	244.4	263.4
10	53.98	8	10.3	295.3	314.2
11.5	39.68	8	10.3	333.3	352.3
14	25.40	8	13.5	438.2	466.6

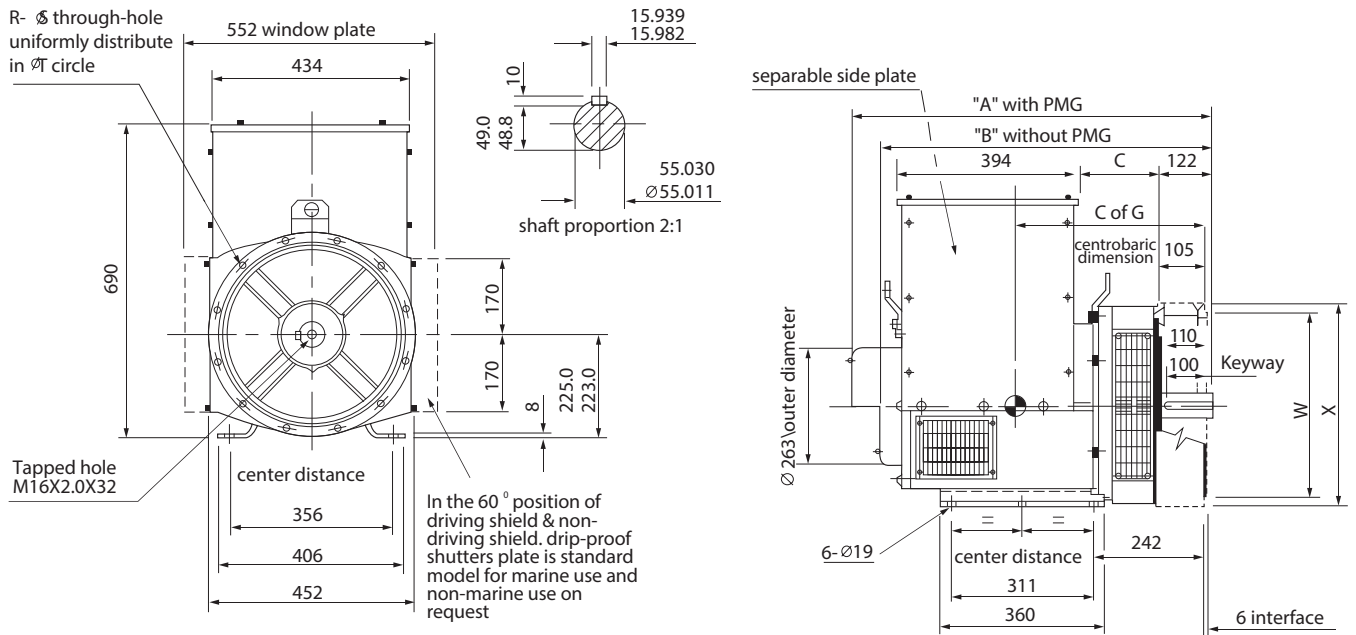
FLANGE (mm)

S.A.E.NO.	D	R	S	T	W	X
1	200.5	12	12.7	530.2	511.1	560
2	200.5	12	11	466.7	447.6	490
3	177	12	11	428.6	409.5	451
4	200.5	8	11	381.0	361.9	450

SAE NO SELECTOR CHOWT

	SAE8	SAE10	SAE11.5
SAE 2			•
SAE 3		•	•
SAE 4	•	•	

Double bearing external dimension



DIMENSION

Model	A	B	C	C of G
SLG224E	882	819	260	393

FLANGE (mm)

S.A.E.NO.	R	S	T	W	X
1	12	12.7	530.2	511.17	553
2	12	11	466.7	447.6	495
3	12	11	428.6	409.5	451
4	8	11	381.0	361.9	403
5	8	11	333.3	314.3	356

TRANSPORTATION DATA

Model	N.W(kg)	G.W(kg)	LXWXH(cm)	QTY FOR 20FT CONTAINER
SLG224E	290	315	108x66x94	

TRANSPORTATION DATA

Model	N.W(kg)	G.W(kg)	LXWXH(cm)	QTY FOR 20FT CONTAINER
SLG224E	270	290	108x66x94	