



E274C Technical Data Sheet



		CONTROL SYSTEM	SELF EXCITED
INSULATION SYSTEM	CLASS H	A.V.R.	AS440
PROTECTION	IP23	VOLTAGE REGULATION	±1.0 %
WINDING PITCH	2/3	SUSTAINED SHORT CIRCUIT	NOT
WINDING LEADS	12	WAVEFORM DISTORTION	NO LOAD < 1.5% NON-DISTORTING BALANCED LINEAR LOAD < 5.0%
MAXIMUM / OVERSPEED	2250 Rev/Min	TELEPHONE INTERFERENCE: THF	THF < 2%
		TELEPHONE INTERFERENCE: TIF	TIF < 50

50Hz CLASS "H"

RATINGS		Winding 311 / 0.8 Power Factor								
Duty/Ambient T°. RISE		Cont.125K/40°C			Standby - 150/40°			Cont.125K/40°C		
PHASE		3 PHASE						1 PHASE		
SERIES STAR		380	400	415	380	400	415			
PARALLEL STAR		190	200	208	190	200	208			
SERIES DELTA		220	230	240	220	230	240			
DOUBLE DELTA								220	230	240
SLG274C	KVA	100	100	100	106	106	106	60	60	60
	KW	80	80	80	84.8	84.8	84.8	48	48	48

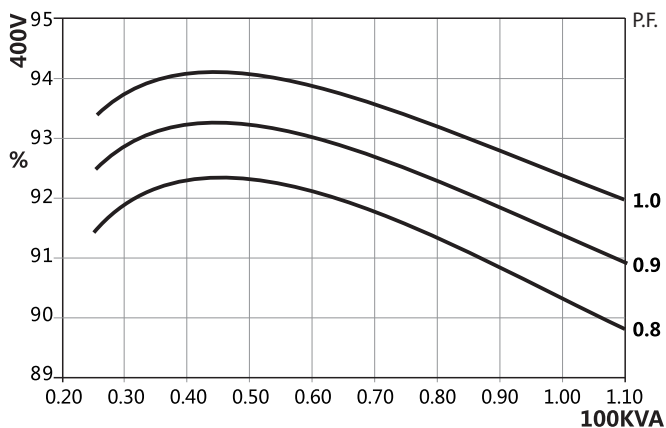
60Hz CLASS "H"

RATINGS		Winding 311 / 0.8 Power Factor										
Duty/Ambient T°. RISE		Cont.125K/40°C			Standby - 150/40°			Cont.125K/40°C				
PHASE		3 PHASE						1 PHASE				
SERIES STAR		416	440	460	480	416	440	460	480			
PARALLEL STAR		208	220	230	240	208	220	230	240			
SERIES DELTA		240	254	266	277	240	254	266	277			
DOUBLE DELTA										220	230	240
SLG274C	KVA	112.5	117.5	117.5	125	116.3	125	125	132.5	61.3	64.4	67.5
	KW	90	94	94	100	93	100	100	106	49.0	51.5	54

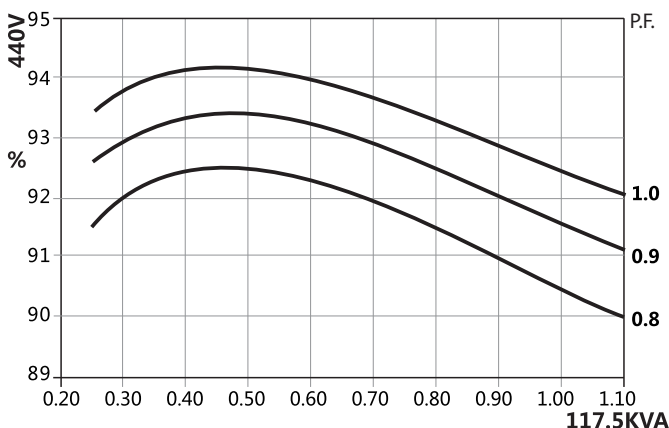
REACTANCES , TIME CONSTANTS (s) : CLASS : H / 400 V

	SLG274C	
	50Hz/400V	60Hz/440V
Xd DIR. AXIS SYNCHRONOUS	2.21	2.58
X'd DIR. AXIS TRANSIENT	0.18	0.22
X''d DIR. AXIS SUBTRANSIENT	0.13	0.15
Xq QUAD. AXIS REACTANCE	1.43	1.48
X''q QUAD. AXIS SUBTRANSIENT	0.16	0.21
XL LEAKAGE REACTANCE	0.06	0.07
X2 NEGATIVE SEQUENCE	0.14	0.18
X0 ZERO SEQUENCE	0.09	0.11
T'd TRANSIENT TIME CONST. (s)	0.028	
T''d SUB-TRANSTIME CONST. (s)	0.001	
T'do O.C. FIELD TIME CONST. (s)	0.08	
Ta ARMATURE TIME CONST. (s)	0.007	
SHORT CIRCUIT RATIO	1/ Xd	

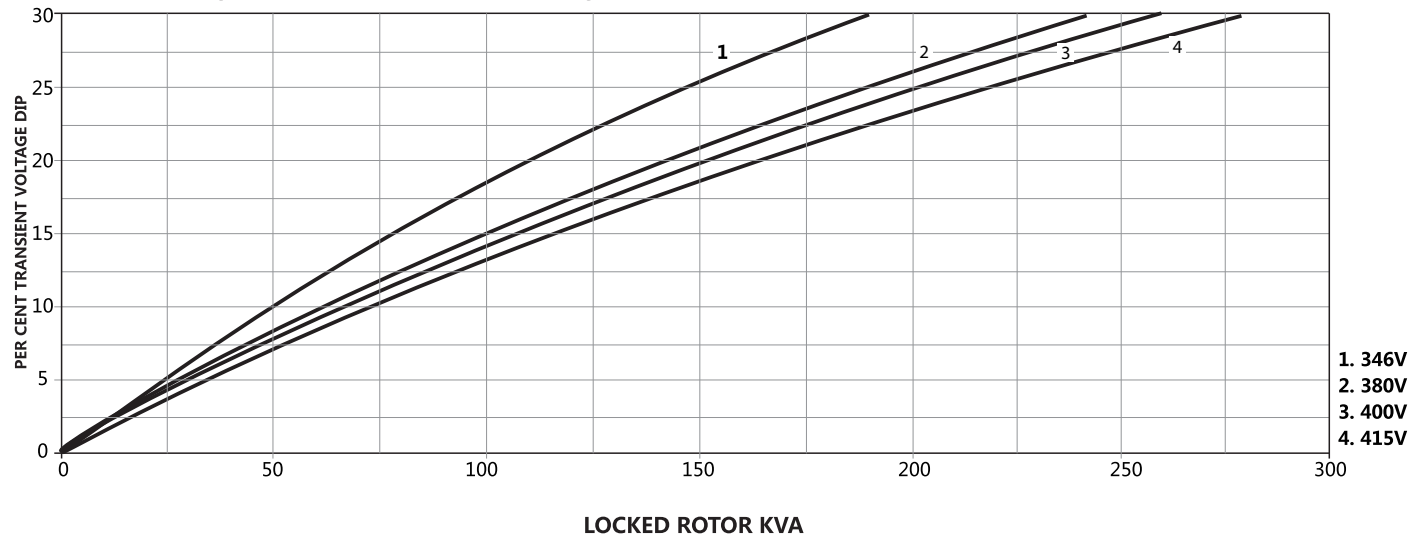
50Hz 400V Winding 311 THREE PHASE EFFICIENCY CURVES



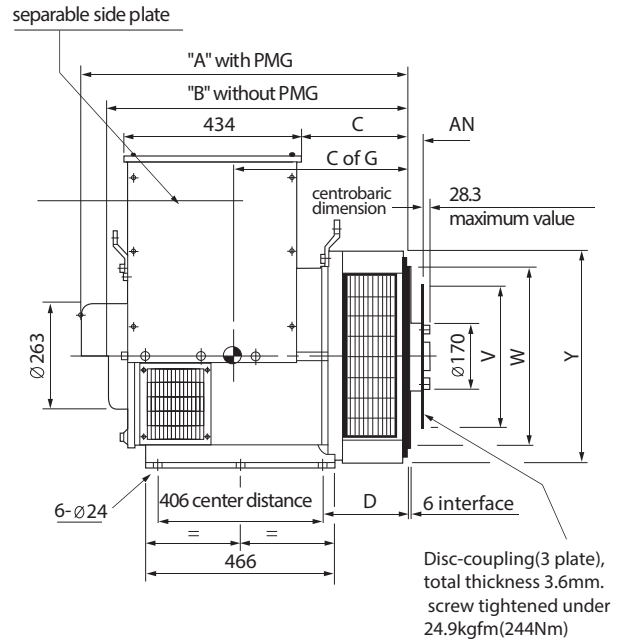
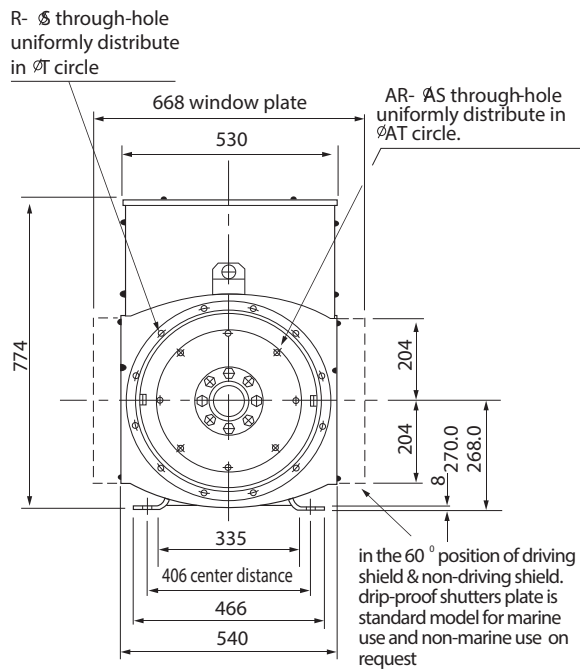
60Hz 440V Winding 311 THREE PHASE EFFICIENCY CURVES



50Hz 400V Winding 311 Locked Rotor Motor Starting Curve



Single bearing external dimension



DIMENSION (mm)

	Model	A	B	C	E	Cof G
SAE1	SLG274C	813.3	750.3	274.3	560	365
SAE2&3	SLG274C	799	736	260	540	398

DISC COUPLING (mm)

S.A.E.NO.	AN	AR	AS	AT	V
10	53.98	8	10.3	295.3	314.2
11.5	39.68	8	10.3	333.3	352.3
14	25.40	8	13.5	438.2	466.6

FLANGE (mm)

S.A.E.NO.	D	R	S	T	W	Y
1	216.3	12	12.7	530.2	511.1	580
2	202	12	11	466.7	447.6	530
3	202	12	11	428.6	409.5	530

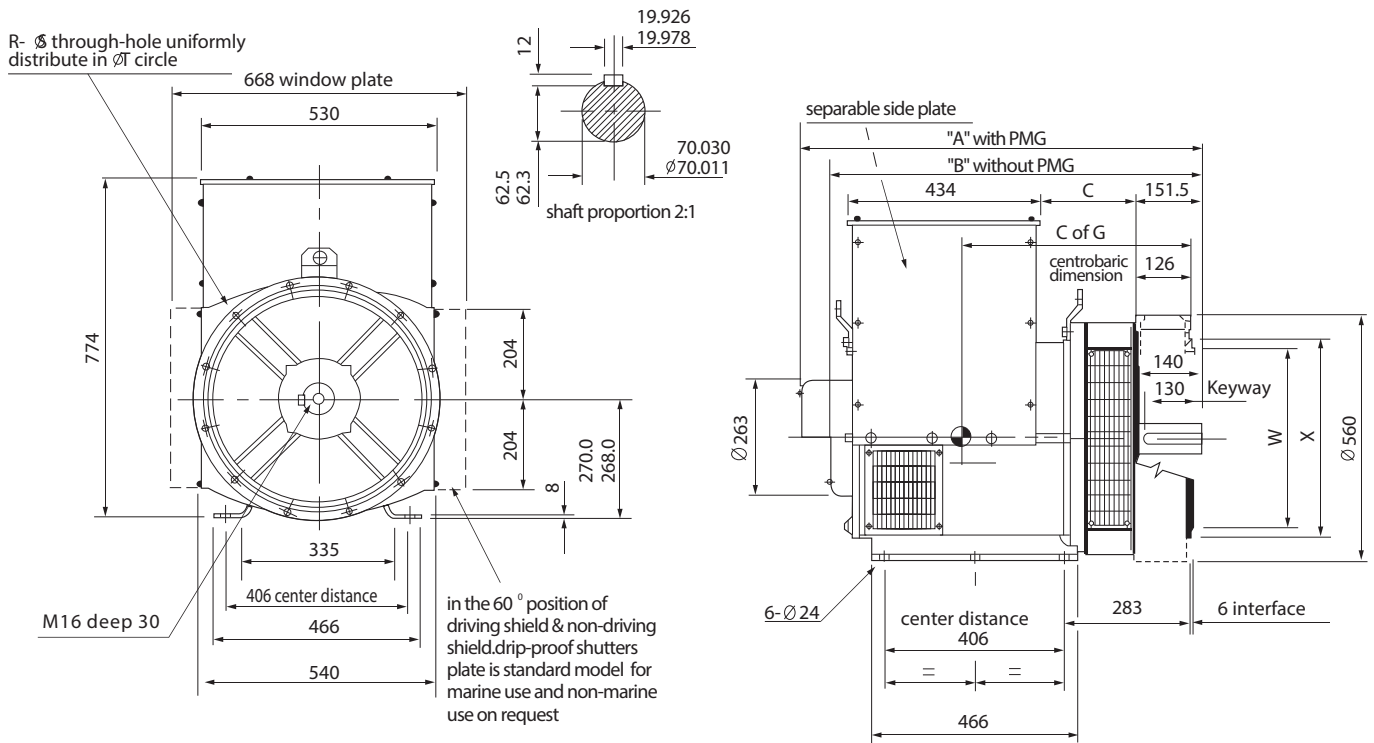
SAE NO SELECTOR CHOWT

	SAE10	SAE11.5	SAE14
SAE 1		•	•
SAE 2		•	
SAE 3	•	•	

TRANSPORTATION DATA

Model	N.W(kg)	G.W(kg)	LXWXH(cm)	QTY FOR 20FT CONTAINER
SLG274C	385	413	94x69x97	32

Double bearing external dimension



DIMENSION

Model	A	B	C	C of G
SLG274C	905	842	215	420

FLANGE (mm)

S.A.E.NO.	R	S	T	W	X
1	12	12.7	530.2	511.1	553
2	12	11	466.7	447.6	495
3	12	11	428.6	409.5	451

TRANSPORTATION DATA

Model	N.W(kg)	G.W(kg)	LXWXH(cm)	QTY FOR 20FT CONTAINER
SLG274C	395	435	102x69x97	32