



E274F Technical Data Sheet



INSULATION SYSTEM	CLASS H	CONTROL SYSTEM	SELF EXCITED
PROTECTION	IP23	A.V.R.	AS440
WINDING PITCH	2/3	VOLTAGE REGULATION	±1.0 %
WINDING LEADS	12	SUSTAINED SHORT CIRCUIT	NOT
MAXIMUM / OVERSPEED	2250 Rev/Min	WAVEFORM DISTORTION	NO LOAD < 1.5% NON-DISTORTING BALANCED LINEAR LOAD < 5.0%
		TELEPHONE INTERFERENCE: THF	THF < 2%
		TELEPHONE INTERFERENCE: TIF	TIF < 50

50Hz CLASS "H"

RATINGS		Winding 311 / 0.8 Power Factor								
Duty/Ambient T°. RISE		Cont.125K/40°C			Standby - 150/40°			Cont.125K/40°C		
PHASE		3 PHASE						1 PHASE		
SERIES STAR		380	400	415	380	400	415			
PARALLEL STAR		190	200	208	190	200	208			
SERIES DELTA		220	230	240	220	230	240			
DOUBLE DELTA								220	230	240
SLG274F	KVA	160	160	160	170	170	170	96	96	96
	KW	128	128	128	136	136	136	76.8	76.8	76.8

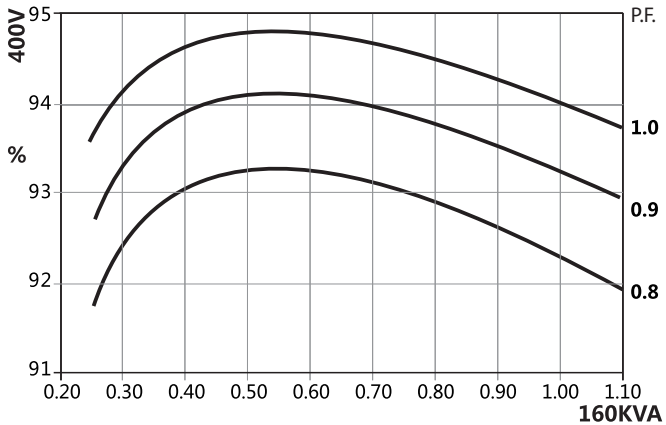
60Hz CLASS "H"

RATINGS		Winding 311 / 0.8 Power Factor										
Duty/Ambient T°. RISE		Cont.125K/40°C				Standby - 150/40°				Cont.125K/40°C		
PHASE		3 PHASE								1 PHASE		
SERIES STAR		416	440	460	480	416	440	460	480			
PARALLEL STAR		208	220	230	240	208	220	230	240			
SERIES DELTA		240	254	266	277	240	254	266	277			
DOUBLE DELTA										220	230	240
SLG274F	KVA	181.3	190	190	206.3	187.5	200	200	212.5	97.5	103.1	108.8
	KW	145	152	152	165	150	160	160	170	78	82.5	87

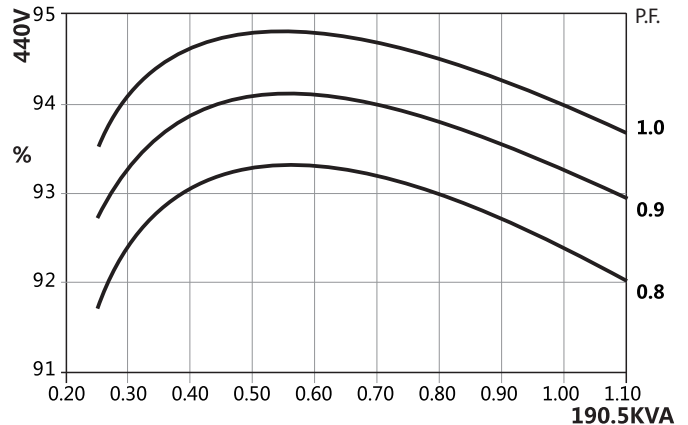
REACTANCES , TIME CONSTANTS (s) : CLASS : H / 400 V

	SLG274F	
	50Hz/400V	60Hz/440V
Xd DIR. AXIS SYNCHRONOUS	2.01	2.37
X'd DIR. AXIS TRANSIENT	0.17	0.20
X''d DIR. AXIS SUBTRANSIENT	0.12	0.13
Xq QUAD. AXIS REACTANCE	1.25	1.43
X''q QUAD. AXIS SUBTRANSIENT	0.15	0.19
XL LEAKAGE REACTANCE	0.06	0.08
X2 NEGATIVE SEQUENCE	0.13	0.15
X0 ZERO SEQUENCE	0.08	0.09
T'd TRANSIENT TIME CONST. (s)	0.035	
T'd SUB-TRANSTIME CONST. (s)	0.011	
T'do O.C. FIELD TIME CONST. (s)	0.9	
Ta ARMATURE TIME CONST. (s)	0.009	
SHORT CIRCUIT RATIO	1/ Xd	

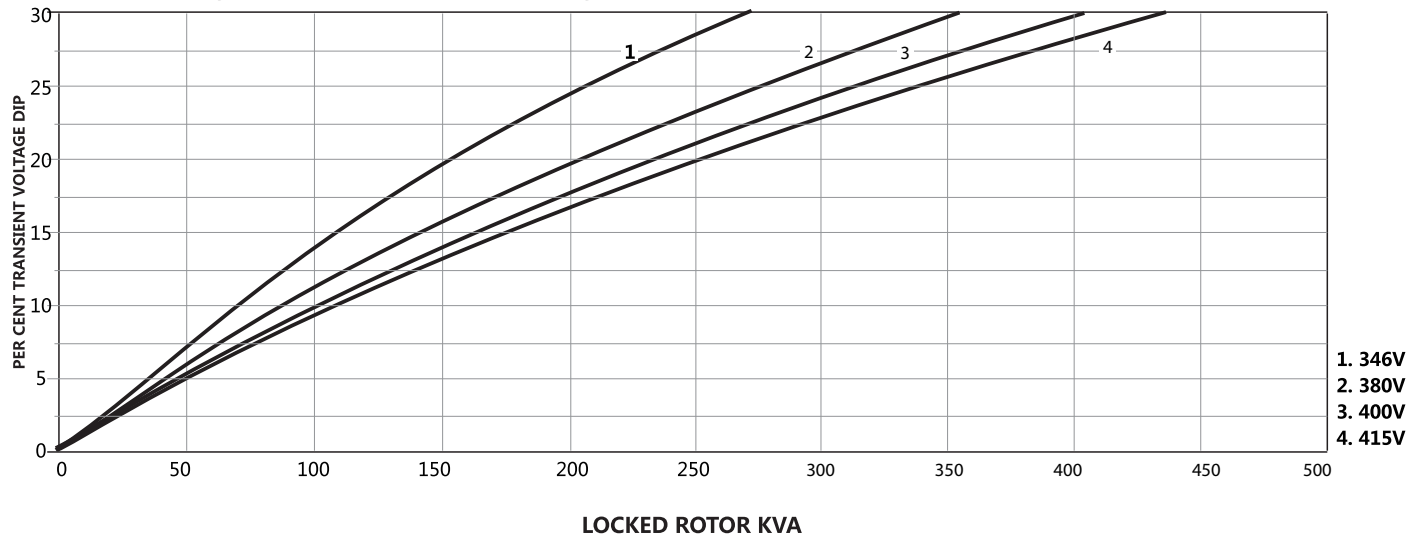
50Hz 400V Winding 311 THREE PHASE EFFICIENCY CURVES



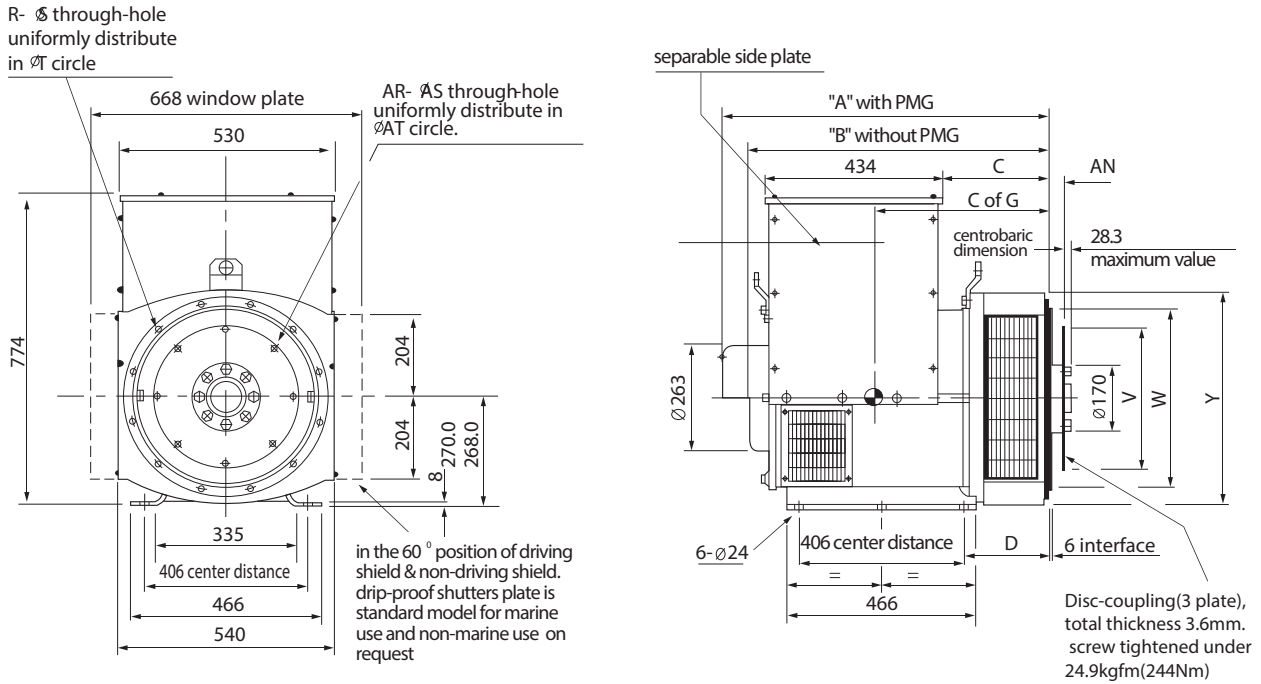
60Hz 440V Winding 311 THREE PHASE EFFICIENCY CURVES



50Hz 400V Winding 311 Locked Rotor Motor Starting Curve



Single bearing external dimension



DIMENSION

	Model	A	B	C	E	Cof G
SAE1	SLG274F	928.3	865.3	389.3	560	415
SAE2&3	SLG274F	914	851	375	540	527

DISC COUPLING

S.A.E.NO.	AN	AR	AS	AT	V
10	53.98	8	10.3	295.3	314.2
11.5	39.68	8	10.3	333.3	352.3
14	25.40	8	13.5	438.2	466.6

FLANGE

S.A.E.NO.	D	R	S	T	W	Y
1	216.3	12	12.7	530.2	511.1	580
2	202	12	11	466.7	447.6	530
3	202	12	11	428.6	409.5	530

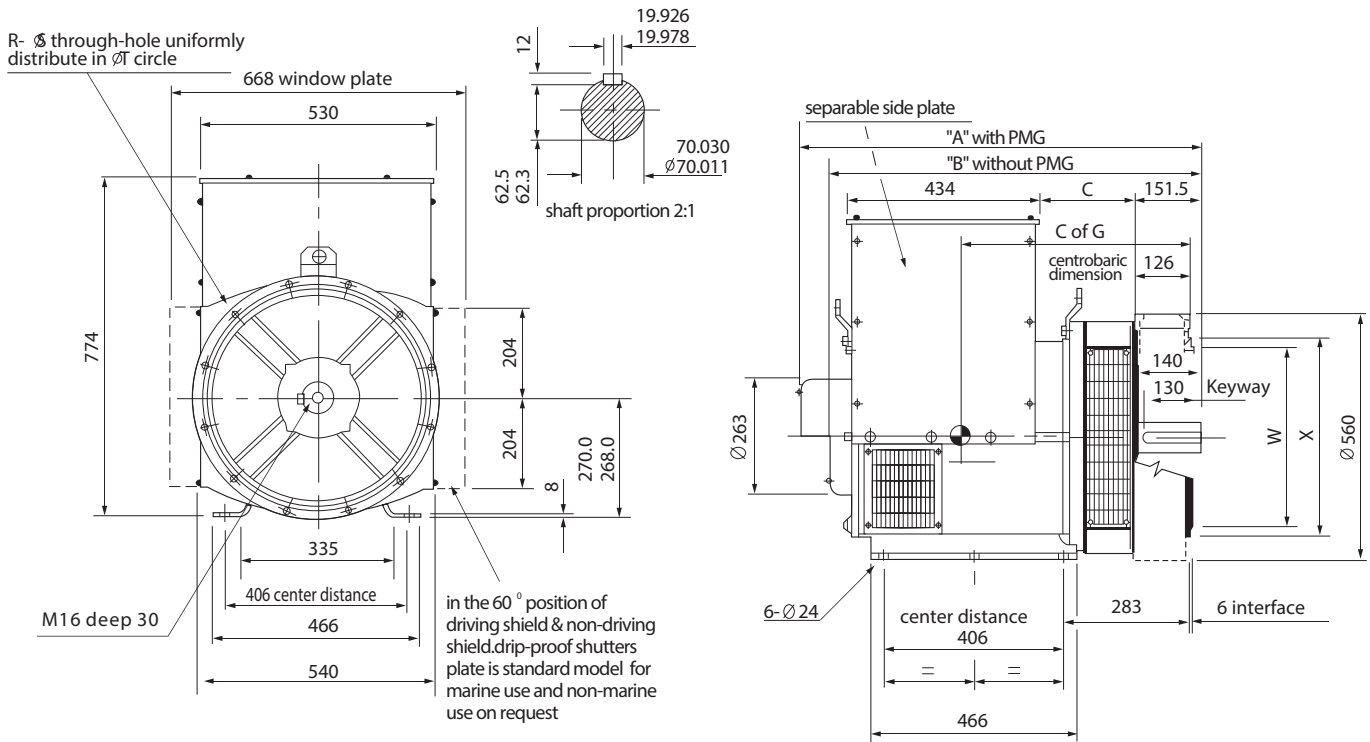
SAE NO SELECTOR CHOWT

	SAE10	SAE11.5	SAE14
SAE 1		•	•
SAE 2		•	
SAE 3	•	•	

TRANSPORTATION DATA

Model	N.W(kg)	G.W(kg)	LXWXH(cm)	QTY FOR 20FT CONTAINER
SLG274F	500	530	106x69x97	32

Double bearing external dimension



DIMENSION

Model	A	B	C	C of G
SLG274F	1020	957	330	475

FLANGE (mm)

S.A.E.NO.	R	S	T	W	X
1	12	12.7	530.2	511.1	553
2	12	11	466.7	447.6	495
3	12	11	428.6	409.5	451

TRANSPORTATION DATA

Model	N.W(kg)	G.W(kg)	LXWXH(cm)	QTY FOR 20FT CONTAINER
SLG274F	510	550	112x69x97	32