

## E274H Technical Data Sheet



INSULATION SYSTEM	CLASS H	CONTROL SYSTEM	SELF EXCITED
PROTECTION	IP23	A.V.R.	AS440
WINDING PITCH	2/3	VOLTAGE REGULATION	±1.0 %
WINDING LEADS	12	SUSTAINED SHORT CIRCUIT	NOT
MAXIMUM / OVERSPEED	2250 Rev/Min	WAVEFORM DISTORTION	NO LOAD < 1.5% NON-DISTORTING BALANCED LINEAR LOAD < 5.0%
		TELEPHONE INTERFERENCE: THF	THF < 2%
		TELEPHONE INTERFERENCE: TIF	TIF < 50

### 50Hz CLASS "H"

RATINGS		Winding 311 / 0.8 Power Factor								
Duty/Ambient T°. RISE		Cont.125K/40°C			Standby - 150/40°			Cont.125K/40°C		
PHASE		3 PHASE						1 PHASE		
SERIES STAR		380	400	415	380	400	415			
PARALLEL STAR		190	200	208	190	200	208			
SERIES DELTA		220	230	240	220	230	240			
DOUBLE DELTA								220	230	240
SLG274H	KVA	200	200	200	212	212	212	120	120	120
	KW	160	160	160	169.6	169.6	169.6	96	96	96

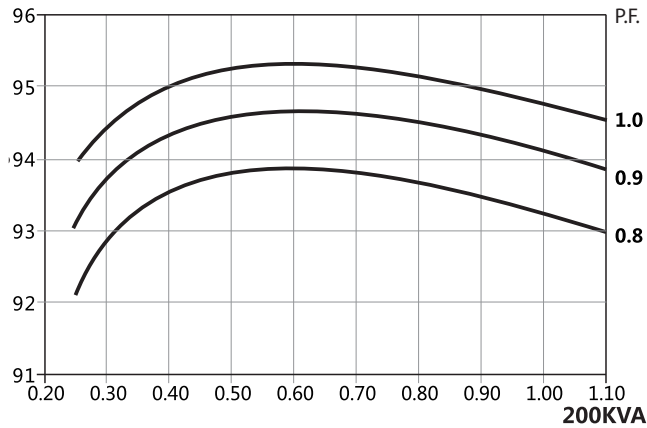
### 60Hz CLASS "H"

RATINGS		Winding 311 / 0.8 Power Factor										
Duty/Ambient T°. RISE		Cont.125K/40°C			Standby - 150/40°			Cont.125K/40°C				
PHASE		3 PHASE						1 PHASE				
SERIES STAR		416	440	460	480	416	440	460	480			
PARALLEL STAR		208	220	230	240	208	220	230	240			
SERIES DELTA		240	254	266	277	240	254	266	277			
DOUBLE DELTA										220	230	240
SLG274H	KVA	237.5	245	245	255	250	258.8	258.8	275	127.5	135	142.5
	KW	190	196	196	204	200	207	207	220	102	108	114

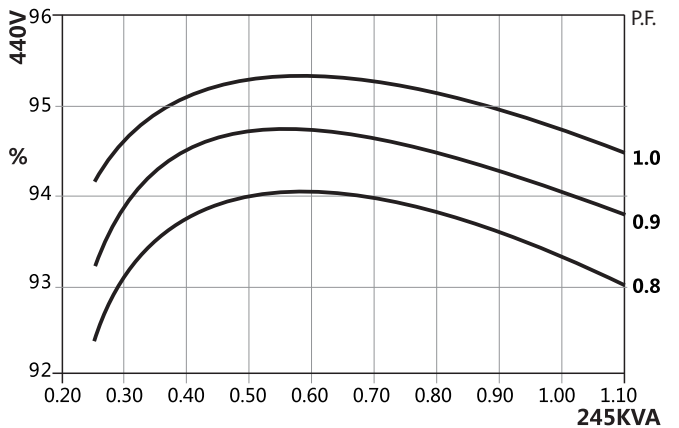
**REACTANCES , TIME CONSTANTS (s) : CLASS : H / 400 V**

	SLG274H	
	50Hz/400V	60Hz/440V
Xd DIR. AXIS SYNCHRONOUS	1.91	2.31
X'd DIR. AXIS TRANSIENT	0.16	0.91
X''d DIR. AXIS SUBTRANSIENT	0.11	0.13
Xq QUAD. AXIS REACTANCE	1.15	1.41
X''q QUAD. AXIS SUBTRANSIENT	0.15	0.18
XL LEAKAGE REACTANCE	0.08	0.09
X2 NEGATIVE SEQUENCE	0.12	0.15
X0 ZERO SEQUENCE	0.08	0.09
T'd TRANSIENT TIME CONST. (s)	0.042	
T''d SUB-TRANSTIME CONST. (s)	0.012	
T'do O.C. FIELD TIME CONST. (s)	1.2	
Ta ARMATURE TIME CONST. (s)	0.012	
SHORT CIRCUIT RATIO	1/ Xd	

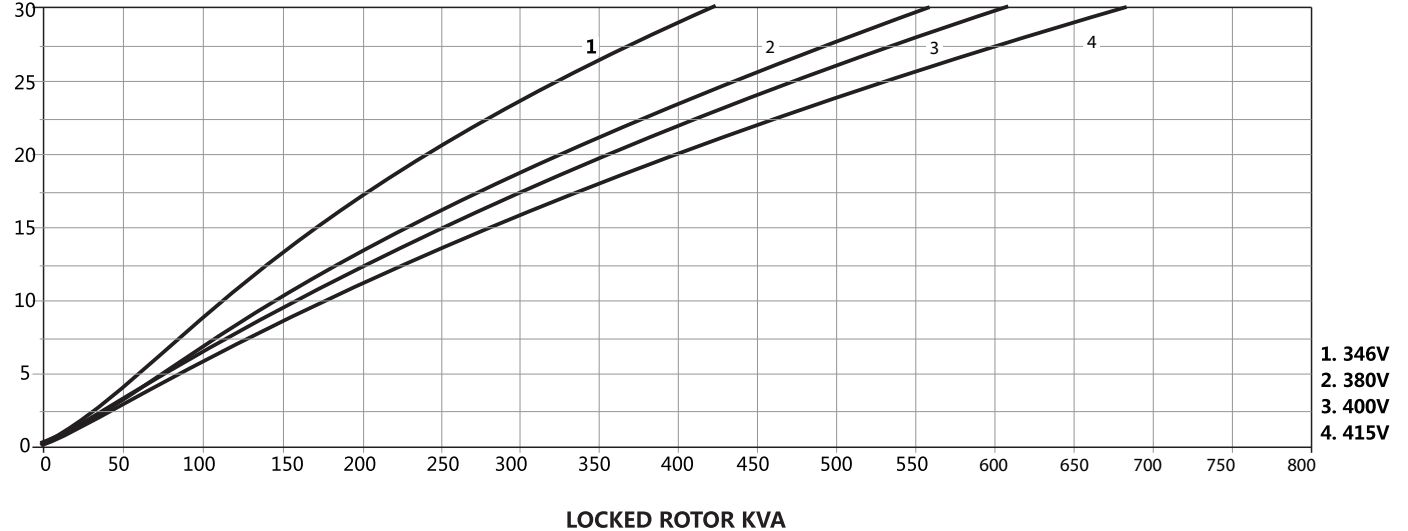
**50Hz 400V Winding 311 THREE PHASE EFFICIENCY CURVES**



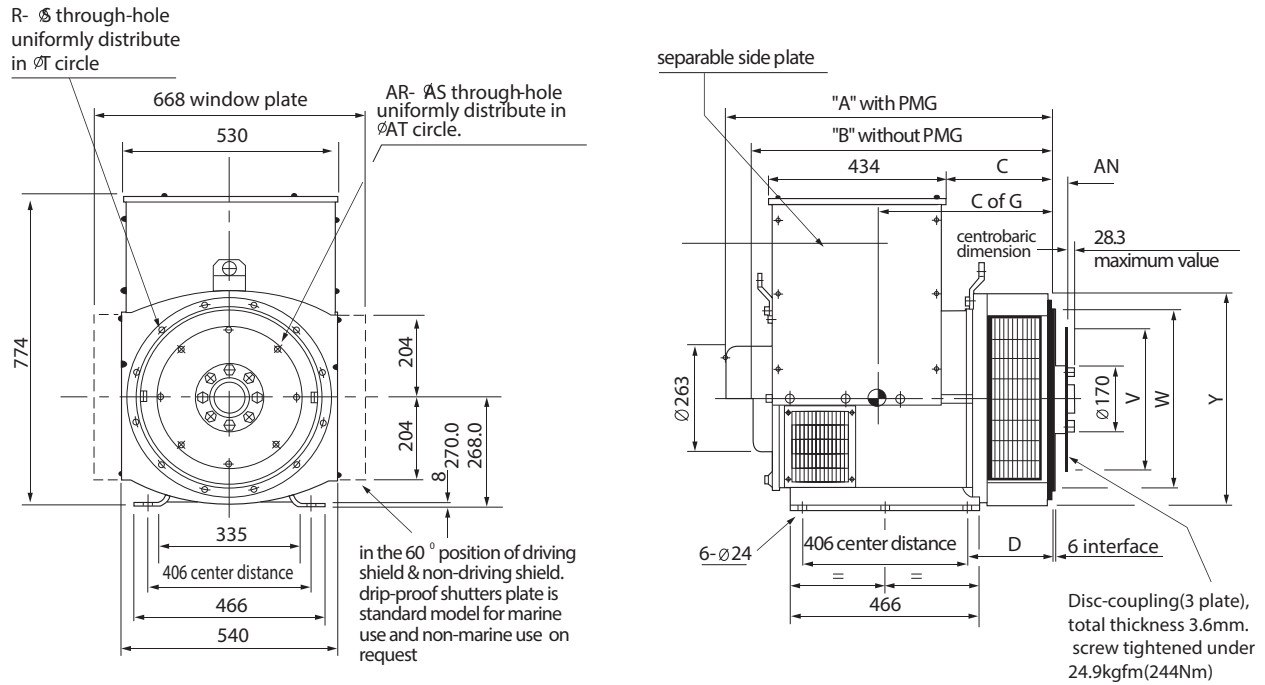
**60Hz 440V Winding 311 THREE PHASE EFFICIENCY CURVES**



**50Hz 400V Winding 311 Locked Rotor Motor Starting Curve**



## Single bearing external dimension



DIMENSION (mm)						
	Model	A	B	C	E	Cof G
SAE1	SLG274H	1018.3	955.3	479.3	560	455
SAE2&3	SLG274H	1004	941	465	540	625

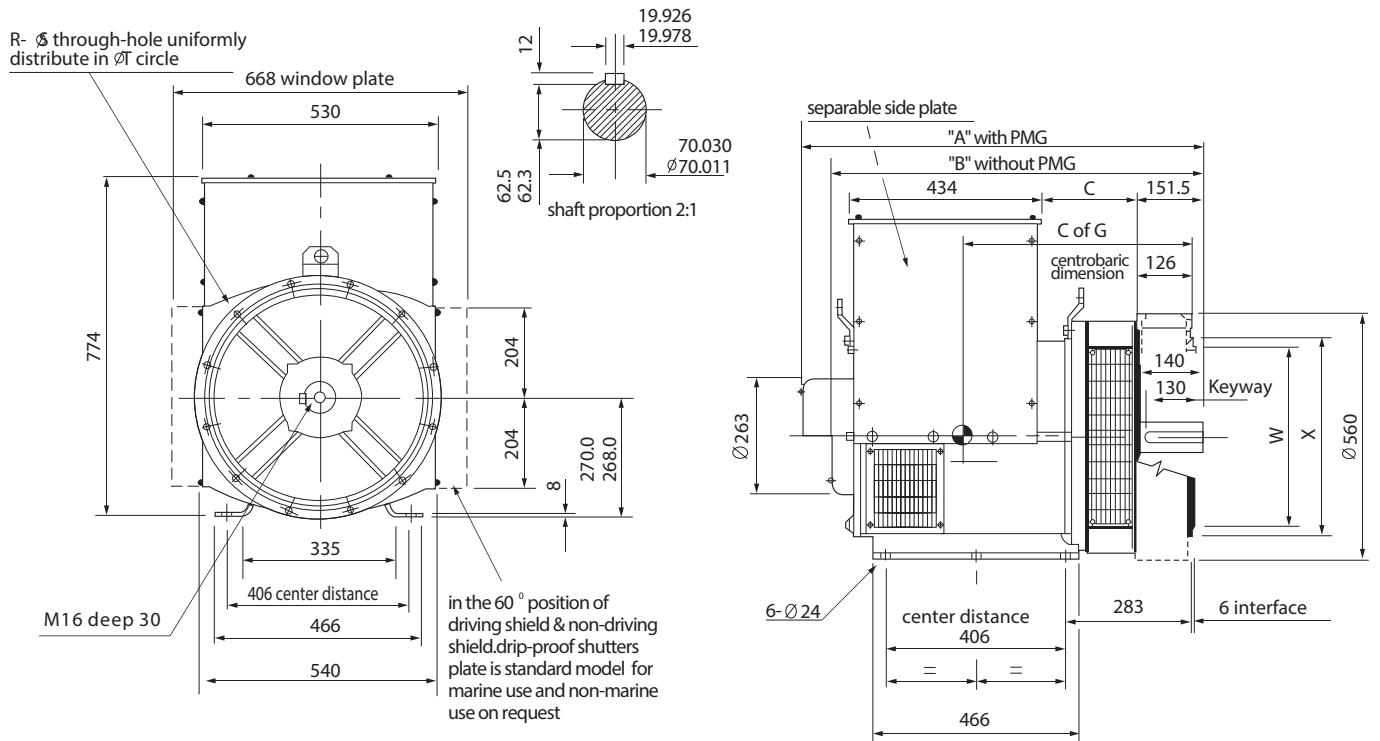
DISC COUPLING (mm)						
S.A.E.NO.	AN	AR	AS	AT	V	
10	53.98	8	10.3	295.3	314.2	
11.5	39.68	8	10.3	333.3	352.3	
14	25.40	8	13.5	438.2	466.6	

FLANGE (mm)						
S.A.E.NO.	D	R	S	T	W	Y
1	216.3	12	12.7	530.2	511.1	580
2	202	12	11	466.7	447.6	530
3	202	12	11	428.6	409.5	530

SAE NO SELECTOR CHOWT			
	SAE10	SAE11.5	SAE14
SAE 1		•	•
SAE 2		•	
SAE 3	•	•	

TRANSPORTATION DATA				
Model	N.W(kg)	G.W(kg)	LXWXH(cm)	QTY FOR 20FT CONTAINER
SLG274H	600	630	115x69x97	32

## Double bearing external dimension



### DIMENSION

Model	A	B	C	C of G
SLG274H	1110	1047	420	510

### FLANGE (mm)

S.A.E.NO.	R	S	T	W	X
1	12	12.7	530.2	511.1	553
2	12	11	466.7	447.6	495
3	12	11	428.6	409.5	451

### TRANSPORTATION DATA

Model	N.W(kg)	G.W(kg)	LXWXH(cm)	QTY FOR 20FT CONTAINER
SLG274H	610	650	120x69x97	24