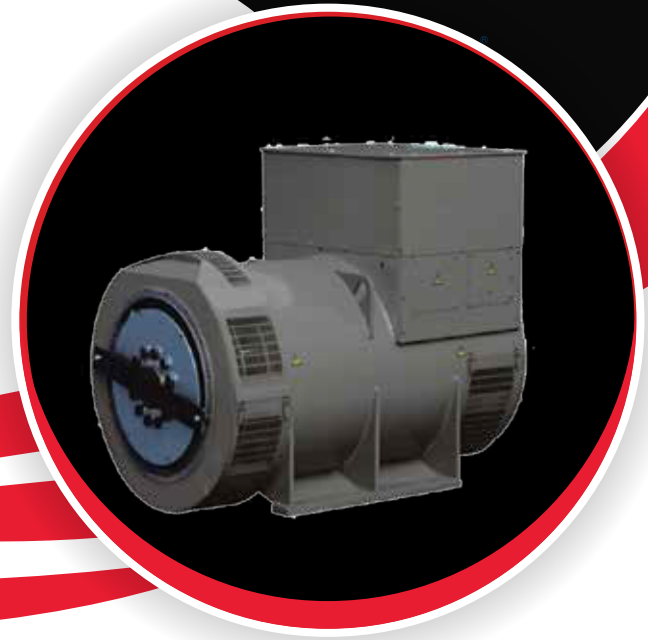




E314E Technical Data Sheet



		CONTROL SYSTEM	SELF EXCITED
INSULATION SYSTEM	CLASS H	A.V.R.	AS440
PROTECTION	IP23	VOLTAGE REGULATION	±1.0 %
WINDING PITCH	2/3	SUSTAINED SHORT CIRCUIT	NOT
WINDING LEADS	12	WAVEFORM DISTORTION	NO LOAD < 1.5% NON-DISTORTING BALANCED LINEAR LOAD < 5.0%
MAXIMUM / OVERSPEED	2250 Rev/Min	TELEPHONE INTERFERENCE: THF	THF < 2%
		TELEPHONE INTERFERENCE: TIF	TIF < 50

50Hz CLASS "H"

RATINGS		Winding 311 / 0.8 Power Factor							
Duty/Ambient T°. RISE		Cont.125K/40°C				Standby - 150/40°			
PHASE		3 PHASE							
SERIES STAR		380	400	415	440	380	400	415	440
PARALLEL STAR		190	200	208	220	190	200	208	220
SERIES DELTA		220	230	240	254	220	230	240	254
DOUBLE DELTA									
SLG314E	KVA	350	325	350	350	370	370	370	370
	KW	280	260	280	280	296	296	296	296

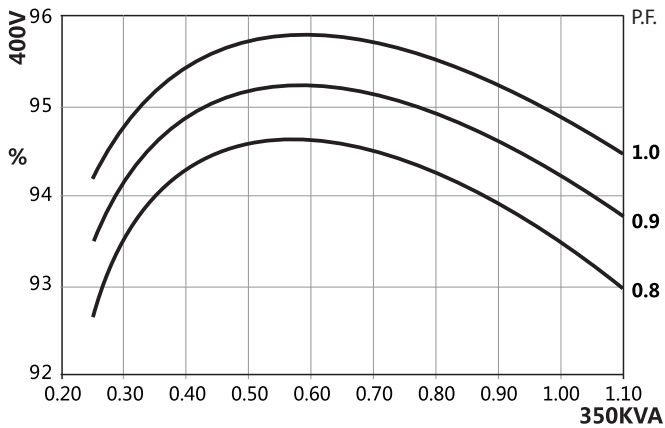
60Hz CLASS "H"

RATINGS		Winding 311 / 0.8 Power Factor							
Duty/Ambient T°. RISE		Cont.125K/40°C				Standby - 150/40°			
PHASE		3 PHASE							
SERIES STAR		416	440	460	480	416	440	460	480
PARALLEL STAR		208	220	230	240	208	220	230	240
SERIES DELTA		240	254	266	277	240	254	266	277
DOUBLE DELTA									
SLG314E	KVA	375	394	394	394	420	445	460	460
	KW	300	315	315	315	336	356	368	368

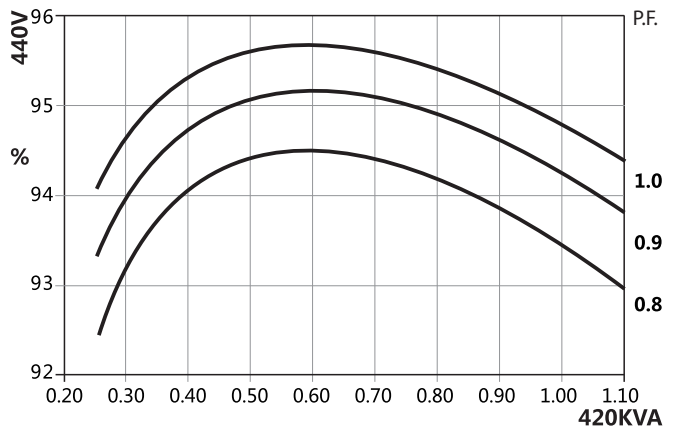
REACTANCES , TIME CONSTANTS (s) : CLASS : H / 400 V

	SLG314E	
	50Hz/400V	60Hz/440V
Xd DIR. AXIS SYNCHRONOUS	2.71	3.26
X'd DIR. AXIS TRANSIENT	0.18	0.20
X''d DIR. AXIS SUBTRANSIENT	0.13	0.14
Xq QUAD. AXIS REACTANCE	2.33	2.74
X''q QUAD. AXIS SUBTRANSIENT	0.32	0.38
XL LEAKAGE REACTANCE	0.06	0.08
X2 NEGATIVE SEQUENCE	0.22	0.29
X0 ZERO SEQUENCE	0.09	0.09
T'd TRANSIENT TIME CONST. (s)	0.08	
T''d SUB-TRANSTIME CONST. (s)	0.019	
T'do O.C. FIELD TIME CONST. (s)	1.7	
Ta ARMATURE TIME CONST. (s)	0.018	
SHORT CIRCUIT RATIO	1/ Xd	

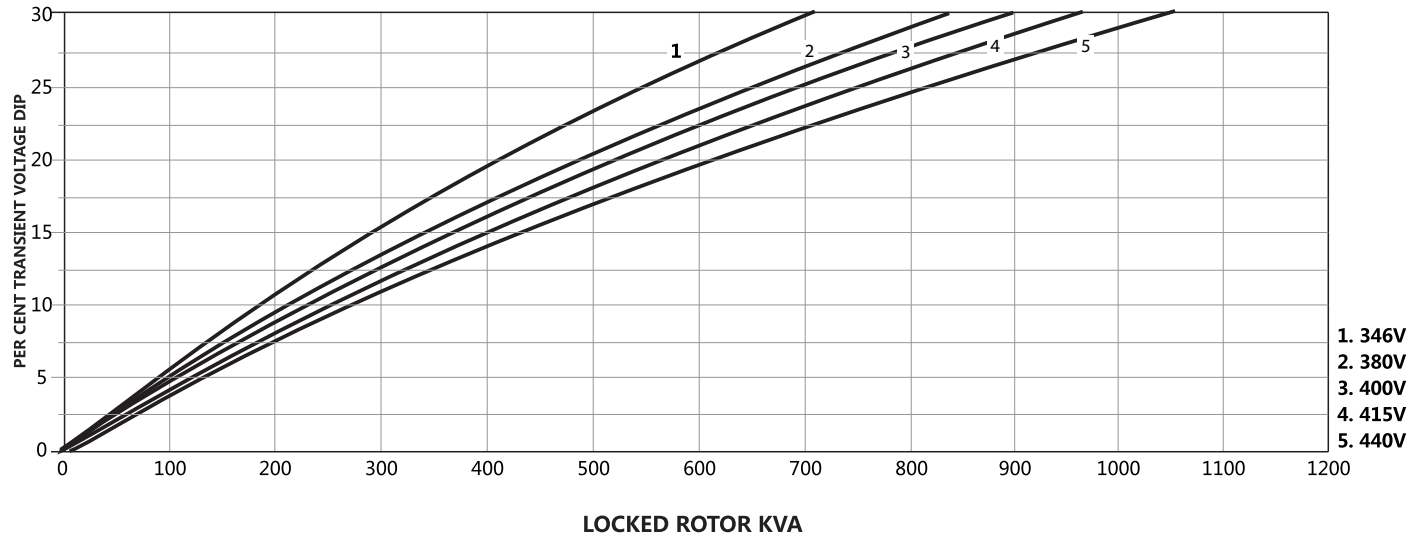
50Hz 400V Winding 311 THREE PHASE EFFICIENCY CURVES



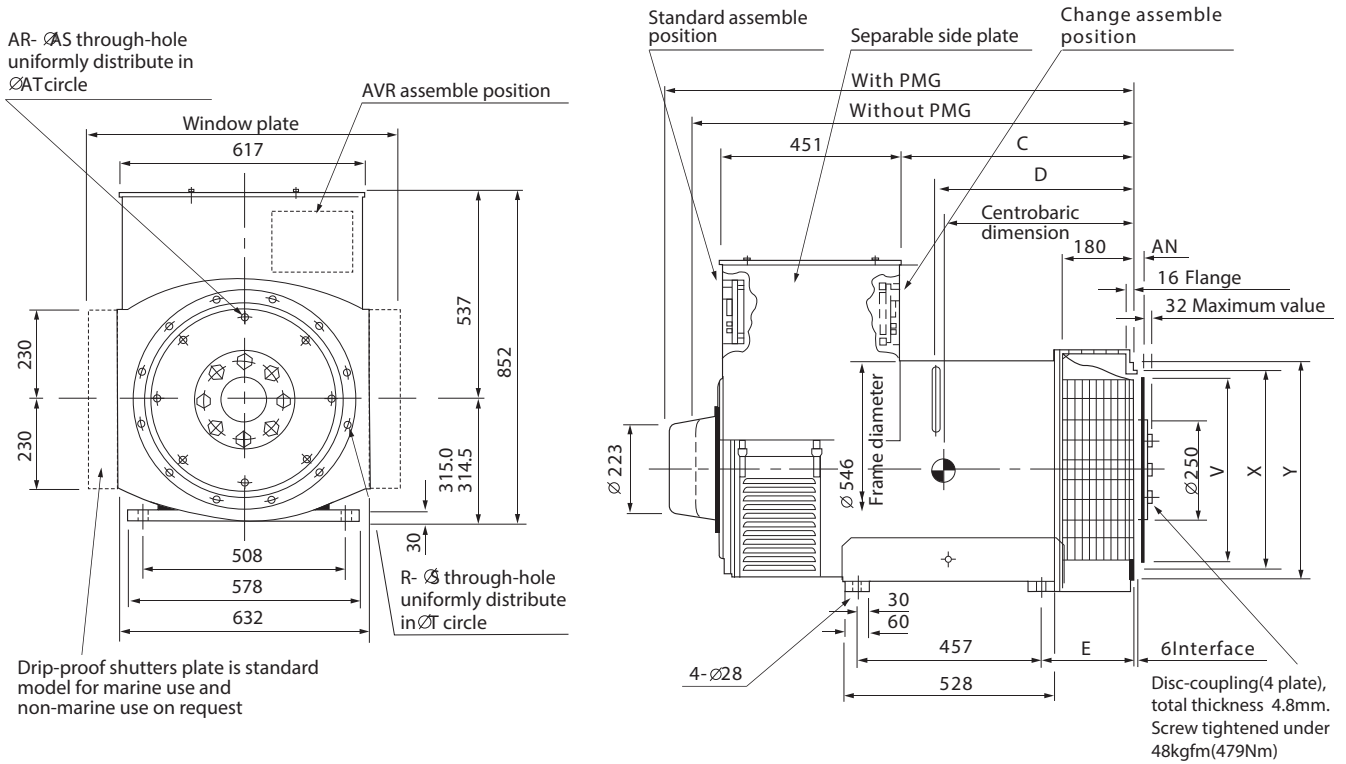
60Hz 440V Winding 311 THREE PHASE EFFICIENCY CURVES



50Hz 400V Winding 311 Locked Rotor Motor Starting Curve



Single bearing external dimension



DIMENSION (mm)								
Model	A		B		C		D	
	SAE1/2/0.5	SAE0	SAE1/2/0.5	SAE0	SAE1/2/0.5	SAE0	SAE1/2/0.5	SAE0
SLG314E	1172	1202	1101	1131	584	614	493	523

DISC COUPLING (mm)						
S.A.E.NO.	AN	AR	AS	AT	V	
11.5	39.68	8	10.3	333.4	352.3	
14	25.40	8	13.5	438.2	466.6	
18	15.87	6	16.7	543.0	571.4	

FLANGE (mm)							
S.A.E.NO.	R	S	T	X	Y	E	
0	16	14	679.5	647.6	720	252	
1/2	12	14	619.1	584.1	670	232	
1	12	12.7	530.2	511.1	617	232	
2	12	11	466.7	447.6	617	232	

SAE NO SELECTOR CHOWT			
	SAE11.5	SAE14	SAE18
SAE 0		•	•
SAE 0.5		•	
SAE 1	•	•	
SAE 2	•		

TRANSPORTATION DATA				
Model	N.W(kg)	G.W(kg)	LXWXH(cm)	QTY FOR 20FT CONTAINER
SLG314E	960	1010	133.2x78.2x107.5	22