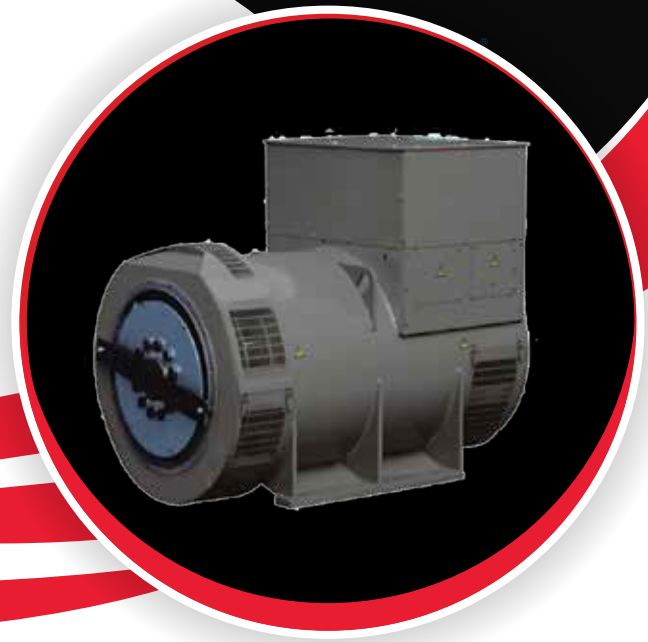




## E314F Technical Data Sheet



		CONTROL SYSTEM	SELF EXCITED
INSULATION SYSTEM	CLASS H	A.V.R.	AS440
PROTECTION	IP23	VOLTAGE REGULATION	±1.0 %
WINDING PITCH	2/3	SUSTAINED SHORT CIRCUIT	NOT
WINDING LEADS	12	WAVEFORM DISTORTION	NO LOAD < 1.5% NON-DISTORTING BALANCED LINEAR LOAD < 5.0%
MAXIMUM / OVERSPEED	2250 Rev/Min	TELEPHONE INTERFERENCE: THF	THF < 2%
		TELEPHONE INTERFERENCE: TIF	TIF < 50

### 50Hz CLASS "H"

RATINGS		Winding 311 / 0.8 Power Factor							
Duty/Ambient T°. RISE		Cont.125K/40°C				Standby - 150/40°			
PHASE		3 PHASE							
SERIES STAR		380	400	415	440	380	400	415	440
PARALLEL STAR		190	200	208	220	190	200	208	220
SERIES DELTA		220	230	240	254	220	230	240	254
DOUBLE DELTA									
SLG314F	KVA	400	380	400	400	415	430	430	430
	KW	320	304	320	320	332	344	344	344

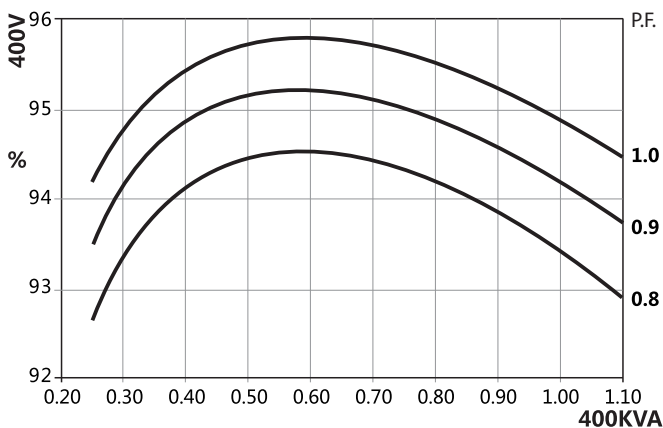
### 60Hz CLASS "H"

RATINGS		Winding 311 / 0.8 Power Factor							
Duty/Ambient T°. RISE		Cont.125K/40°C				Standby - 150/40°			
PHASE		3 PHASE							
SERIES STAR		416	440	460	480	416	440	460	480
PARALLEL STAR		208	220	230	240	208	220	230	240
SERIES DELTA		240	254	266	277	240	254	266	277
DOUBLE DELTA									
SLG314F	KVA	434	456	456	456	485	515	535	535
	KW	347	365	365	365	388	412	428	428

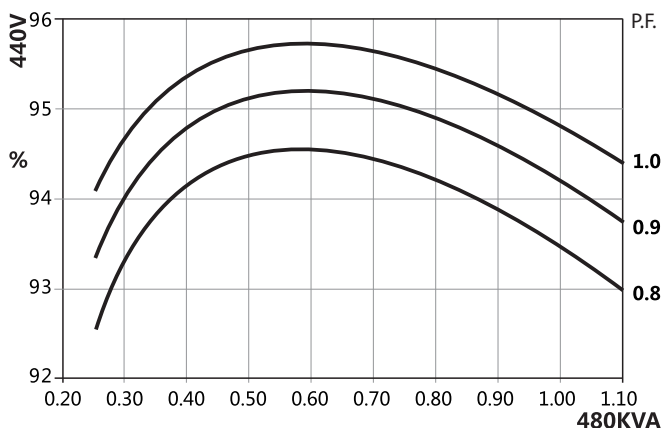
**REACTANCES , TIME CONSTANTS (s) : CLASS : H / 400 V**

	SLG314F	
	50Hz/400V	60Hz/440V
Xd DIR. AXIS SYNCHRONOUS	2.45	3.09
X'd DIR. AXIS TRANSIENT	0.16	0.17
X''d DIR. AXIS SUBTRANSIENT	0.12	0.12
Xq QUAD. AXIS REACTANCE	2.12	2.73
X''q QUAD. AXIS SUBTRANSIENT	0.28	0.41
XL LEAKAGE REACTANCE	0.05	0.07
X2 NEGATIVE SEQUENCE	0.20	0.27
X0 ZERO SEQUENCE	0.08	0.09
T'd TRANSIENT TIME CONST. (s)	0.08	
T''d SUB-TRANSTIME CONST. (s)	0.019	
T'do O.C. FIELD TIME CONST. (s)	1.7	
Ta ARMATURE TIME CONST. (s)	0.018	
SHORT CIRCUIT RATIO	1/ Xd	

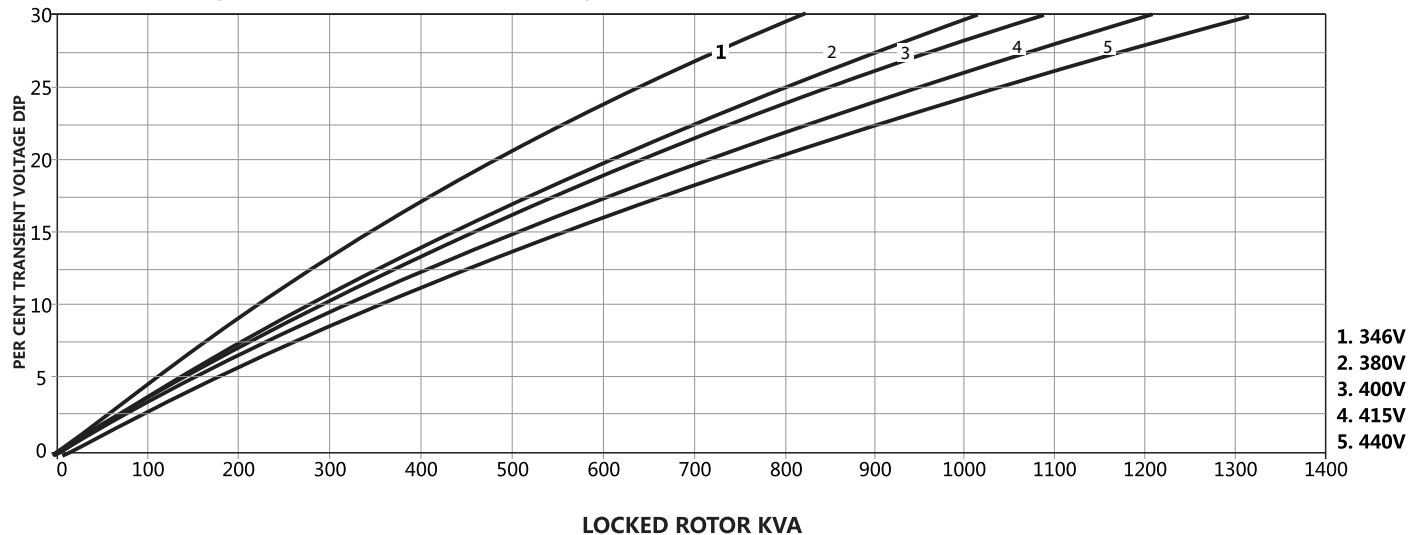
**50Hz 400V Winding 311 THREE PHASE EFFICIENCY CURVES**



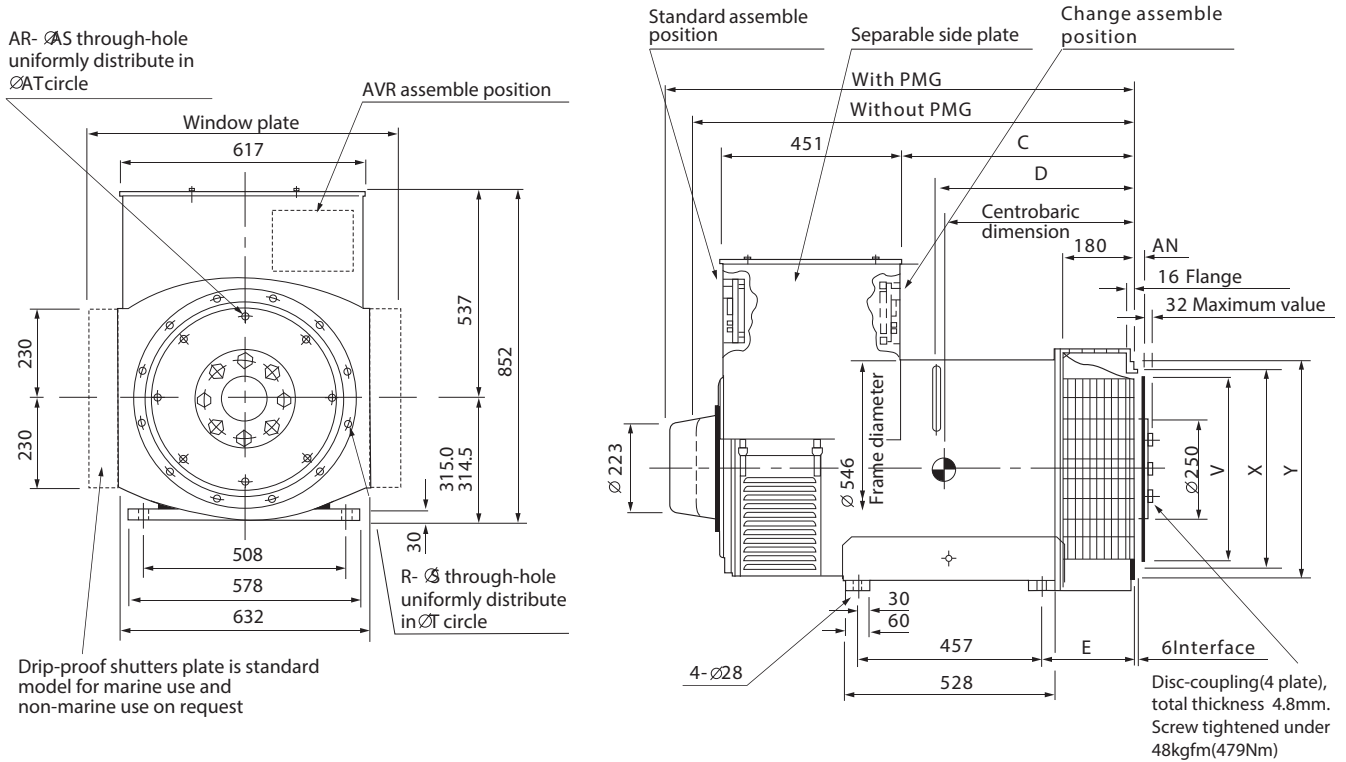
**60Hz 440V Winding 311 THREE PHASE EFFICIENCY CURVES**



**50Hz 400V Winding 311 Locked Rotor Motor Starting Curve**



## Single bearing external dimension



### DIMENSION (mm)

Model	A		B		C		D	
	SAE1/2/0.5	SAE0	SAE1/2/0.5	SAE0	SAE1/2/0.5	SAE0	SAE1/2/0.5	SAE0
SLG314F	1262	1292	1191	1221	674	704	583	613

### DISC COUPLING (mm)

S.A.E.NO.	AN	AR	AS	AT	V
11.5	39.68	8	10.3	333.4	352.3
14	25.40	8	13.5	438.2	466.6
18	15.87	6	16.7	543.0	571.4

### FLANGE (mm)

S.A.E.NO.	R	S	T	X	Y	E
0	16	14	679.5	647.6	720	252
1/2	12	14	619.1	584.1	670	232
1	12	12.7	530.2	511.1	617	232
2	12	11	466.7	447.6	617	232

### SAE NO SELECTOR CHOWT

	SAE11.5	SAE14	SAE18
SAE 0		•	•
SAE 0.5		•	
SAE 1	•	•	
SAE 2	•		

### TRANSPORTATION DATA

Model	N.W(kg)	G.W(kg)	LXWXH(cm)	QTY FOR 20FT CONTAINER
SLG314F	1110	1160	137.2x78.2x107.5	22