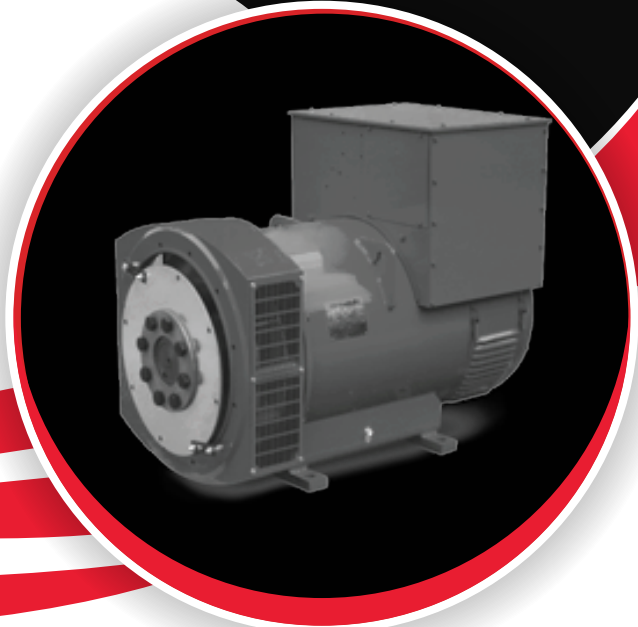




# E354C Technical Data Sheet



		CONTROL SYSTEM	SELF EXCITED
INSULATION SYSTEM	CLASS H	A.V.R.	AS440
PROTECTION	IP23	VOLTAGE REGULATION	±1.0 %
WINDING PITCH	2/3	SUSTAINED SHORT CIRCUIT	NOT
WINDING LEADS	12	WAVEFORM DISTORTION	NO LOAD < 1.5% NON-DISTORTING BALANCED LINEAR LOAD < 5.0%
MAXIMUM / OVERSPEED	2250 Rev/Min	TELEPHONE INTERFERENCE: THF	THF < 2%
		TELEPHONE INTERFERENCE: TIF	TIF < 50

**50Hz CLASS "H"**

RATINGS		<b>Winding 311 / 0.8 Power Factor</b>							
Duty/Ambient T°. RISE		Cont.125K/40°C				Standby - 150/40°			
PHASE		3 PHASE							
SERIES STAR		380	400	415	440	380	400	415	440
PARALLEL STAR		190	200	208	220	190	200	208	220
SERIES DELTA		220	230	240	254	220	230	240	254
DOUBLE DELTA									
SLG354C	KVA	450	450	450	450	478	478	478	478
	KW	360	360	360	360	382	382	382	382

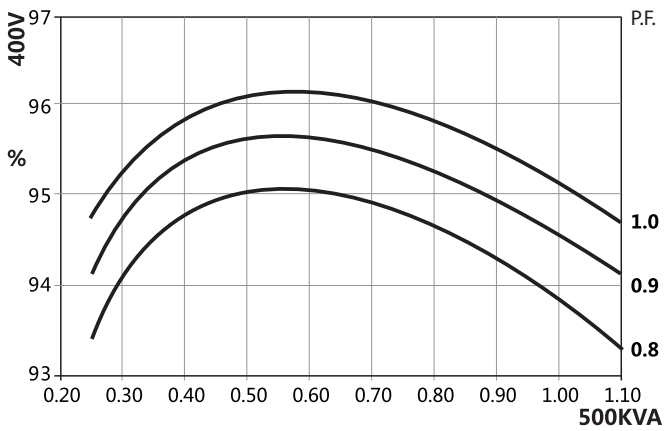
**60Hz CLASS "H"**

RATINGS		<b>Winding 311 / 0.8 Power Factor</b>							
Duty/Ambient T°. RISE		Cont.125K/40°C				Standby - 150/40°			
PHASE		3 PHASE							
SERIES STAR		416	440	460	480	416	440	460	480
PARALLEL STAR		208	220	230	240	208	220	230	240
SERIES DELTA		240	254	266	277	240	254	266	277
DOUBLE DELTA									
SLG354C	KVA	525	550	581	594	550	581	613	625
	KW	420	440	465	475	440	465	490	500

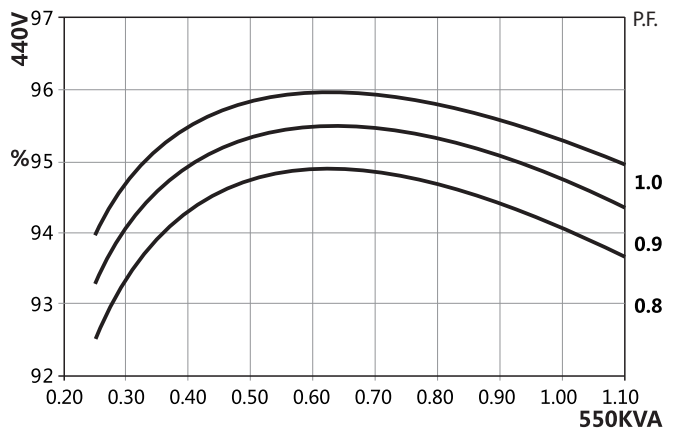
**REACTANCES , TIME CONSTANTS (s) : CLASS : H / 400 V**

	SLG354C	
	50Hz/400V	60Hz/440V
Xd DIR. AXIS SYNCHRONOUS	2.95	3.69
X'd DIR. AXIS TRANSIENT	0.16	0.17
X''d DIR. AXIS SUBTRANSIENT	0.12	0.12
Xq QUAD. AXIS REACTANCE	2.40	2.92
X''q QUAD. AXIS SUBTRANSIENT	0.24	0.32
XL LEAKAGE REACTANCE	0.06	0.07
X2 NEGATIVE SEQUENCE	0.17	0.22
X0 ZERO SEQUENCE	0.10	0.10
T'd TRANSIENT TIME CONST. (s)	0.08	
T''d SUB-TRANSTIME CONST. (s)	0.012	
T'do O.C. FIELD TIME CONST. (s)	2	
Ta ARMATURE TIME CONST. (s)	0.017	
SHORT CIRCUIT RATIO	1/ Xd	

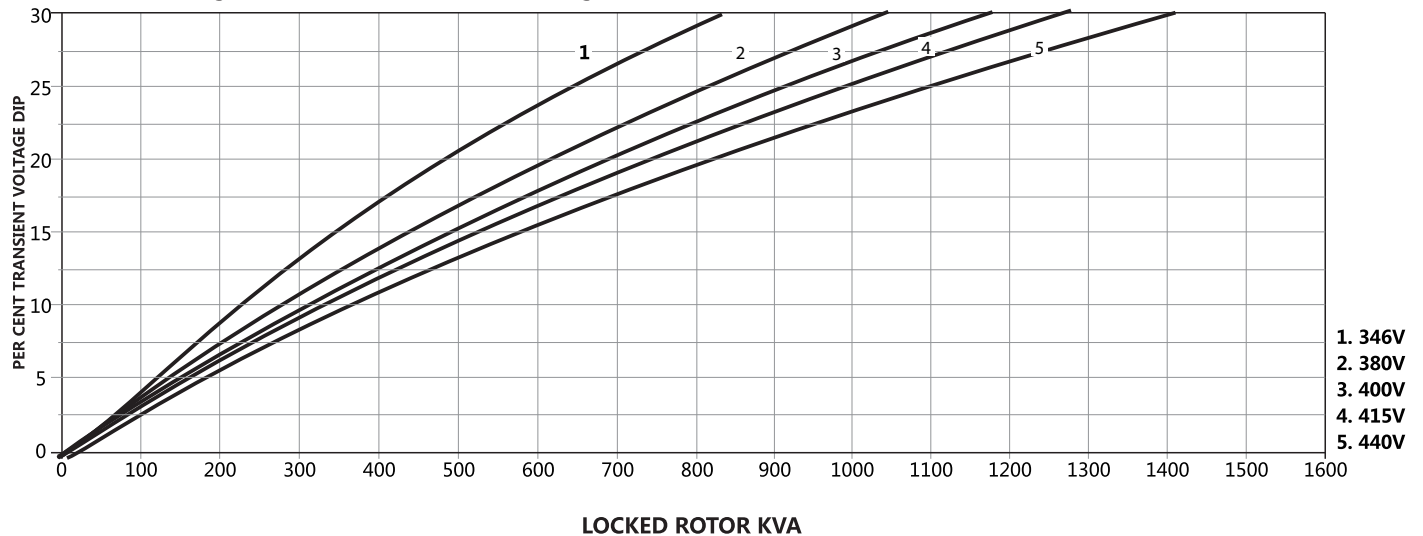
**50Hz 400V Winding 311 THREE PHASE EFFICIENCY CURVES**



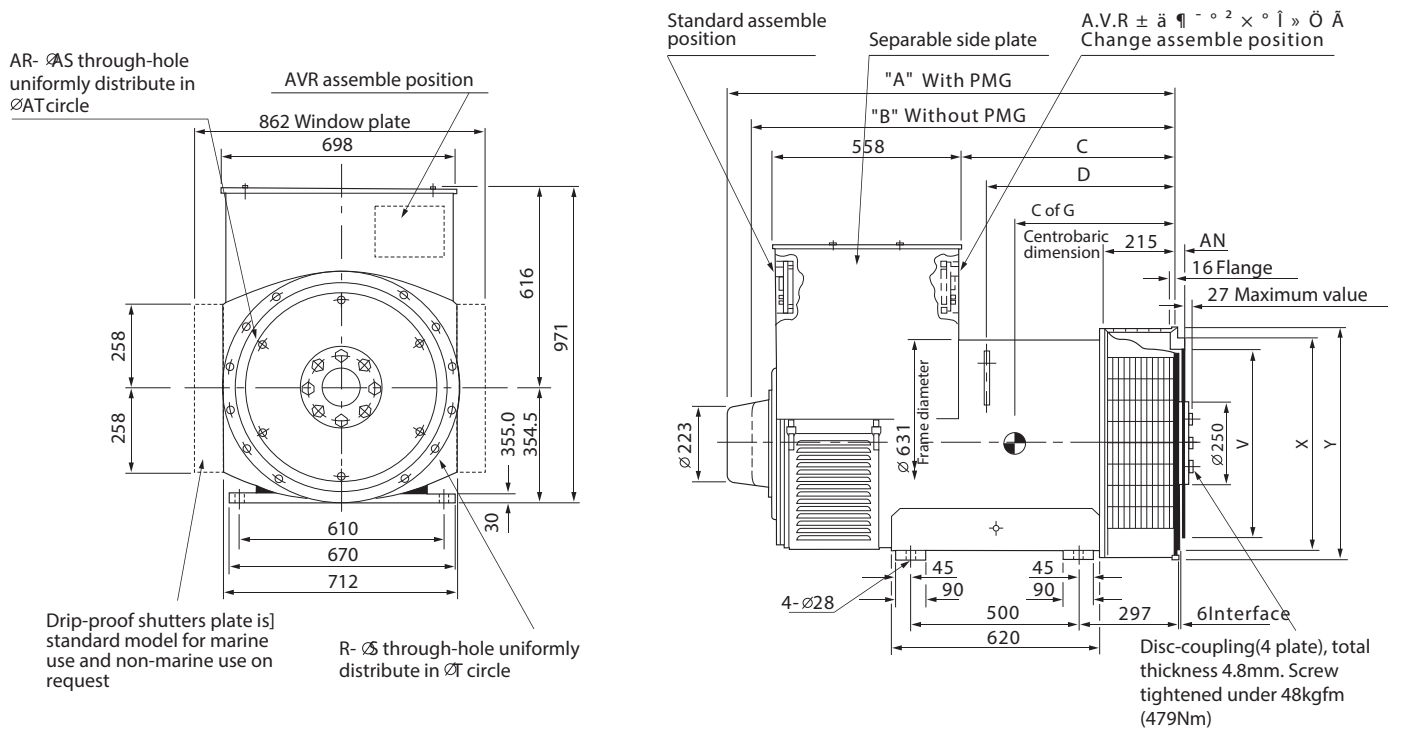
**60Hz 440V Winding 311 THREE PHASE EFFICIENCY CURVES**



**50Hz 400V Winding 311 Locked Rotor Motor Starting Curve**



## Single bearing external dimension



		DIMENSION (mm)			
型号 Model	A	B	C	D	C of G
SLG354C	1337	1266	642	568	555

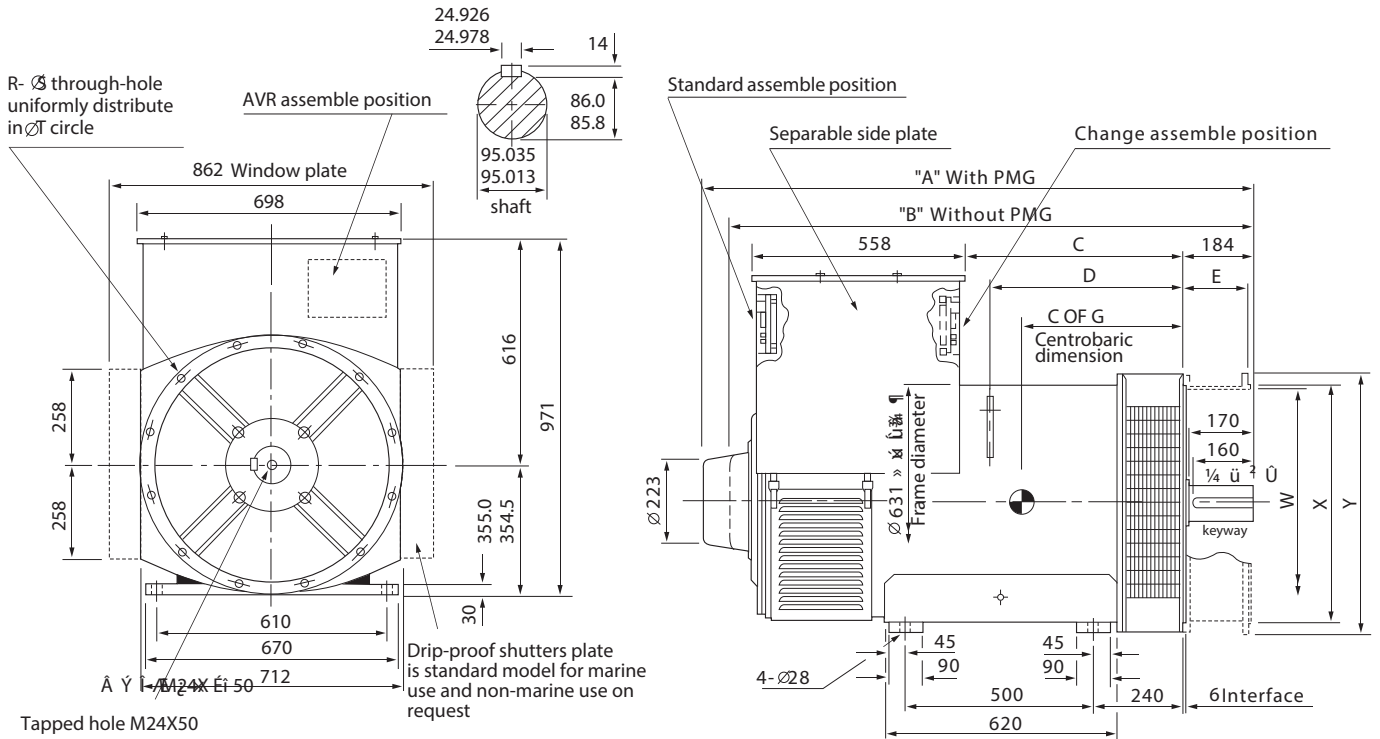
		DISC COUPLING (mm)				
S.A.E.NO.	AN	AR	AS	AT	V	
14	25.40	8	13.5	438.2	466.6	
18	15.87	6	16.7	543.0	571.4	
21	0	12	16.7	641.3	673.0	

		FLANGE (mm)				
S.A.E.NO.	R	S	T	X	Y	
00	16	14	850.9	787.3	882	
0	16	14	679.5	647.6	702	
1/2	12	14	619.1	584.1	702	
1	12	12.7	530.2	511.1	702	

SAE NO SELECTOR CHOWT		
	SAE14	SAE18
SAE 0	•	•
SAE 0.5	•	
SAE 1	•	

TRANSPORTATION DATA				
型号 Model	N.W(kg)	G.W(kg)	LXWXH(cm)	QTY FOR 20FT CONTAINER
SLG354C	1265	1350	143.2x86.2x117.4	22

## Double bearing external dimension



DIMENSION					
Model	A	B	C	D	C of G
SLG354C	1464	1393	585	511	498

FLANGE (mm)							
S.A.E.NO.	R	S	T	W	X	Y	E
00	16	14	850.9	772	787.3	882	170
0	16	14	679.5	632	647.6	711	170
1/2	12	14	619.1	569	584.1	648	150
1	12	12.7	530.2	496	511.1	553	170

TRANSPORTATION DATA				
Model	N.W(kg)	G.W(kg)	LXWXH(cm)	QTY FOR 20FT CONTAINER
SLG354C	1275	1375	160.5x68.5x117.5	22