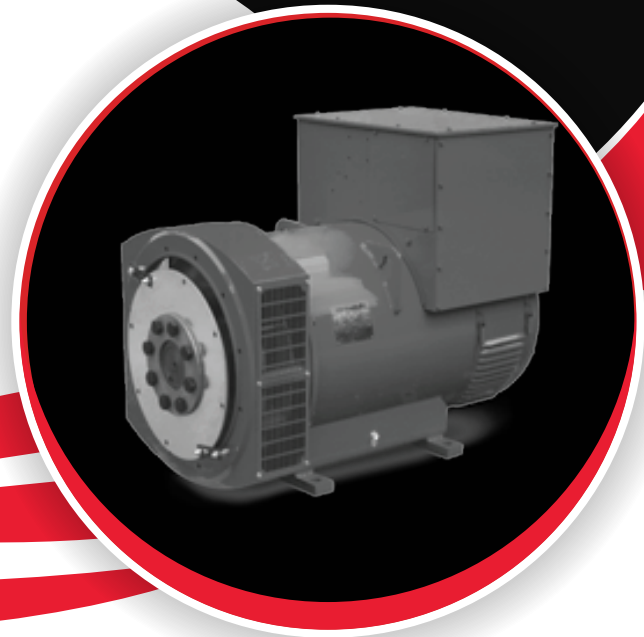




# E354D Technical Data Sheet



	CLASS H	CONTROL SYSTEM	SELF EXCITED
INSULATION SYSTEM	CLASS H	A.V.R.	AS440
PROTECTION	IP23	VOLTAGE REGULATION	±1.0 %
WINDING PITCH	2/3	SUSTAINED SHORT CIRCUIT	NOT
WINDING LEADS	12	WAVEFORM DISTORTION	NO LOAD < 1.5% NON-DISTORTING BALANCED LINEAR LOAD < 5.0%
MAXIMUM / OVERSPEED	2250 Rev/Min	TELEPHONE INTERFERENCE: THF	THF < 2%
		TELEPHONE INTERFERENCE: TIF	TIF < 50

## 50Hz CLASS "H"

RATINGS		Winding 311 / 0.8 Power Factor							
Duty/Ambient T°. RISE		Cont.125K/40°C				Standby - 150/40°			
PHASE		3 PHASE							
SERIES STAR		380	400	415	440	380	400	415	440
PARALLEL STAR		190	200	208	220	190	200	208	220
SERIES DELTA		220	230	240	254	220	230	240	254
DOUBLE DELTA									
SLG354D	KVA	500	500	500	500	515	515	515	515
	KW	400	400	400	400	412	412	412	412

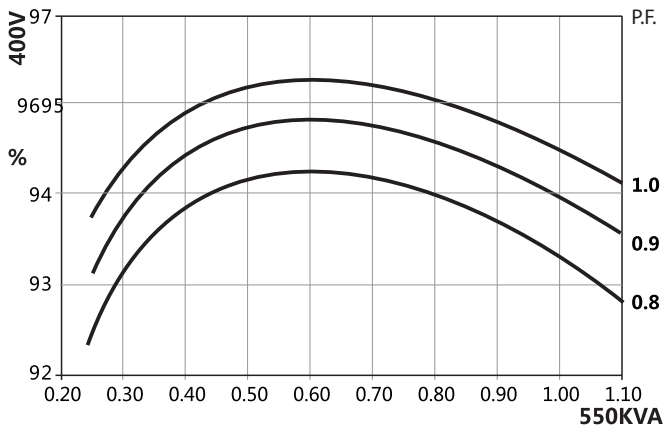
## 60Hz CLASS "H"

RATINGS		Winding 311 / 0.8 Power Factor							
Duty/Ambient T°. RISE		Cont.125K/40°C				Standby - 150/40°			
PHASE		3 PHASE							
SERIES STAR		416	440	460	480	416	440	460	480
PARALLEL STAR		208	220	230	240	208	220	230	240
SERIES DELTA		240	254	266	277	240	254	266	277
DOUBLE DELTA									
SLG354D	KVA	575	594	625	644	588	625	655	675
	KW	460	475	500	515	470	500	524	540

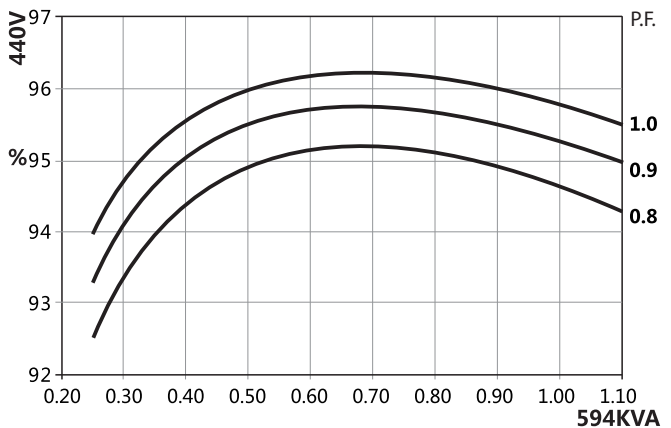
**REACTANCES , TIME CONSTANTS (s) : CLASS : H / 400 V**

	SLG354D	
	50Hz/400V	60Hz/440V
	Xd DIR. AXIS SYNCHRONOUS	2.72
X'd DIR. AXIS TRANSIENT	0.14	0.16
X''d DIR. AXIS SUBTRANSIENT	0.10	0.11
Xq QUAD. AXIS REACTANCE	2.24	2.65
X''q QUAD. AXIS SUBTRANSIENT	0.25	0.29
XL LEAKAGE REACTANCE	0.04	0.06
X2 NEGATIVE SEQUENCE	0.17	0.20
X0 ZERO SEQUENCE	0.09	0.09
T'd TRANSIENT TIME CONST. (s)	0.08	
T''d SUB-TRANSTIME CONST. (s)	0.012	
T'do O.C. FIELD TIME CONST. (s)	2.2	
Ta ARMATURE TIME CONST. (s)	0.018	
SHORT CIRCUIT RATIO	1/ Xd	

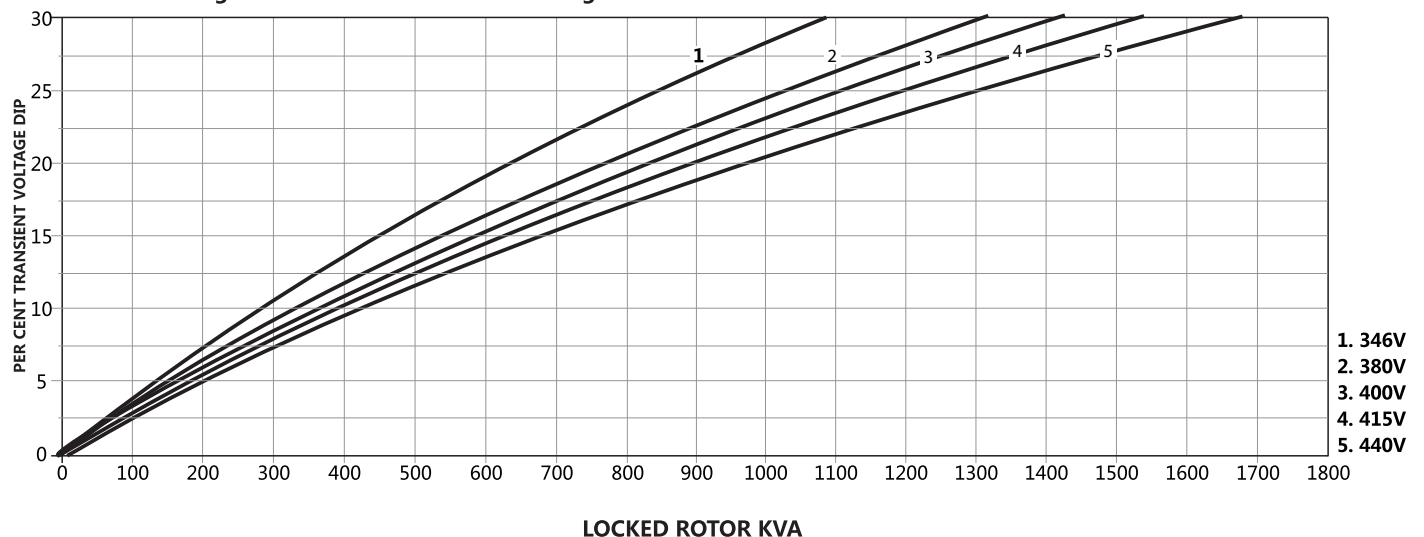
**50Hz 400V Winding 311 THREE PHASE EFFICIENCY CURVES**



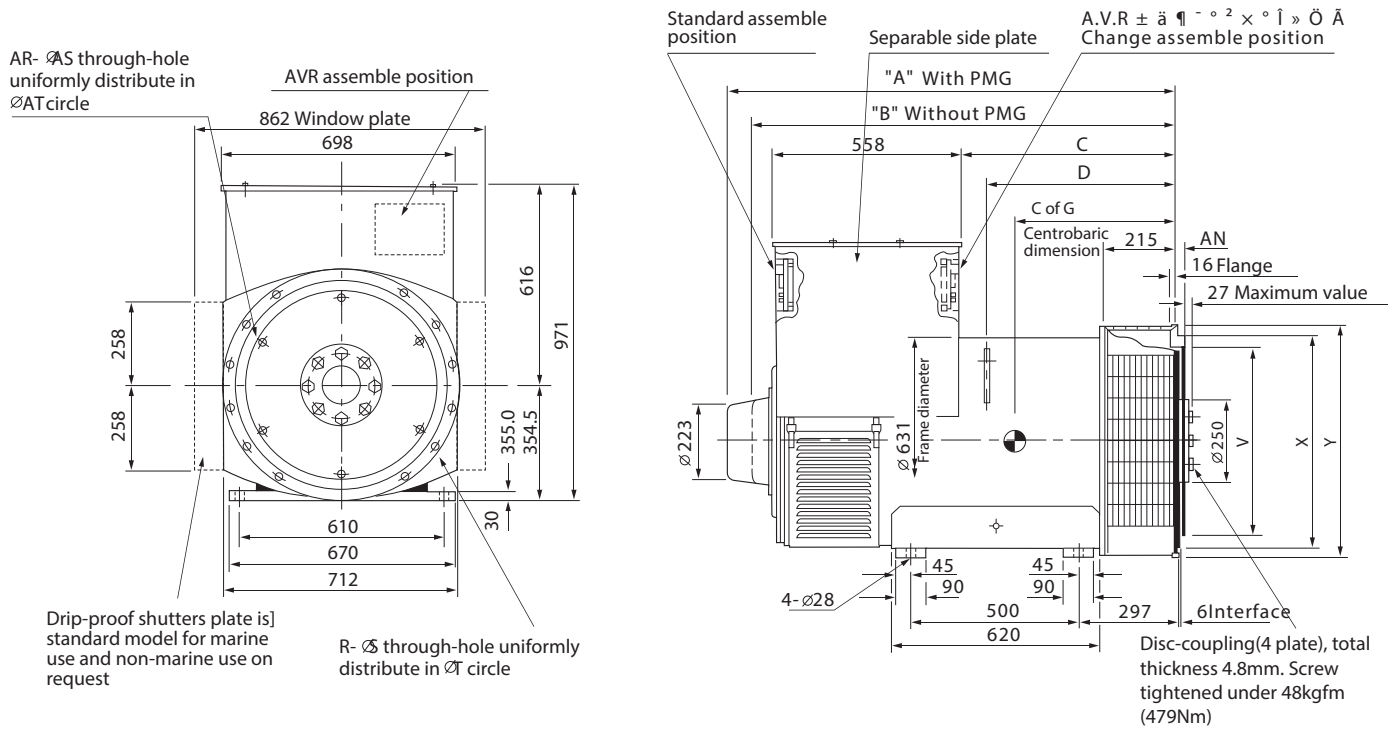
**60Hz 440V Winding 311 THREE PHASE EFFICIENCY CURVES**



**50Hz 400V Winding 311 Locked Rotor Motor Starting Curve**



## SLG354D Single bearing external dimension



DIMENSION (mm)					
型号 Model	A	B	C	D	C of G
SLG354D	1337	1266	642	568	575

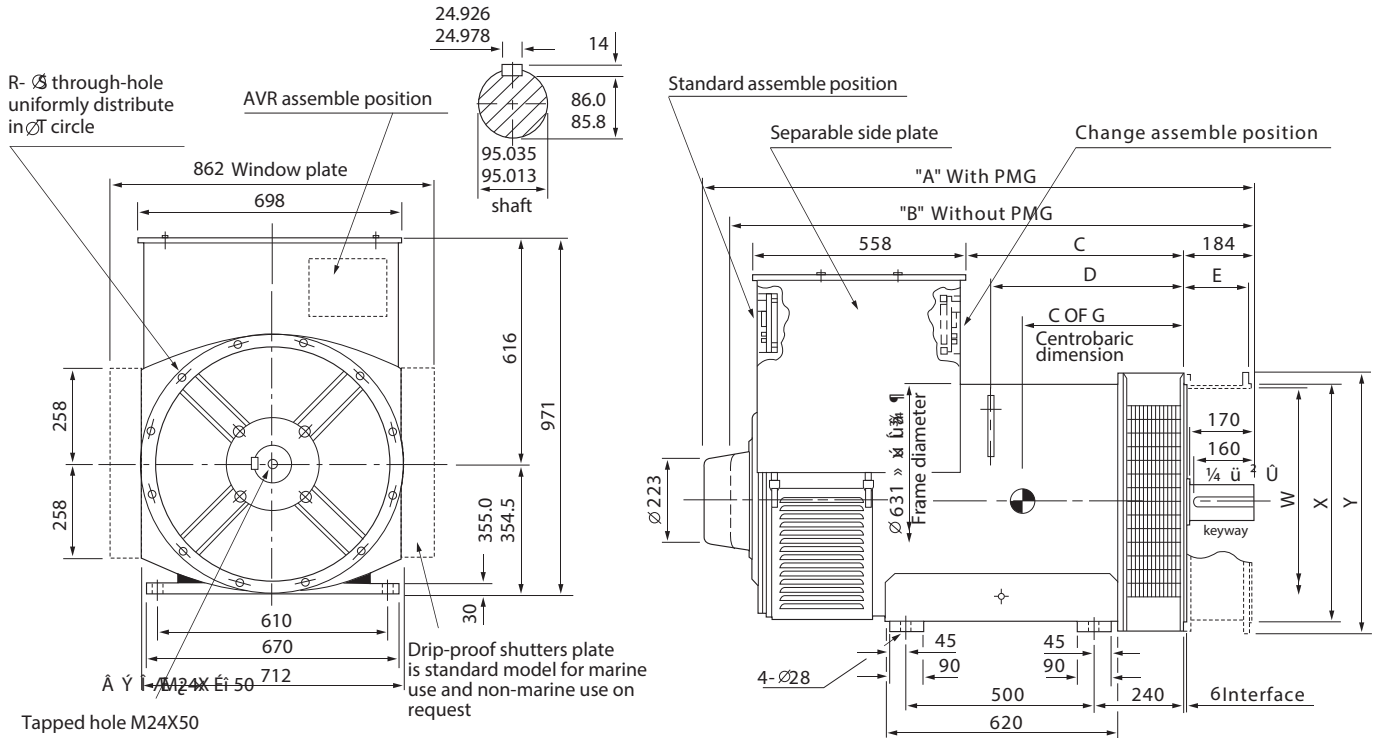
DISC COUPLING (mm)					
S.A.E.NO.	AN	AR	AS	AT	V
14	25.40	8	13.5	438.2	466.6
18	15.87	6	16.7	543.0	571.4
21	0	12	16.7	641.3	673.0

FLANGE (mm)					
S.A.E.NO.	R	S	T	X	Y
00	16	14	850.9	787.3	882
0	16	14	679.5	647.6	702
1/2	12	14	619.1	584.1	702
1	12	12.7	530.2	511.1	702

SAE NO SELECTOR CHOWT		
	SAE14	SAE18
SAE 0	•	•
SAE 0.5	•	
SAE 1	•	

TRANSPORTATION DATA				
型号 Model	N.W(kg)	G.W(kg)	LXWXH(cm)	QTY FOR 20FT CONTAINER
SLG354D	1230	1450	143.2x86.2x117.4	22

## SLG354D Double bearing external dimension



### DIMENSION

型号 Model	A	B	C	D	C of G
SLG354D	1464	1393	585	511	518

### FLANGE (mm)

S.A.E.NO.	R	S	T	W	X	Y	E
00	16	14	850.9	772	787.3	882	170
0	16	14	679.5	632	647.6	711	170
1/2	12	14	619.1	569	584.1	648	150
1	12	12.7	530.2	496	511.1	553	170

### TRANSPORTATION DATA

型号 Model	N.W(kg)	G.W(kg)	LXWXH(cm)	QTY FOR 20FT CONTAINER
SLG354D	1330	1430	160.5x68.5x117.5	22