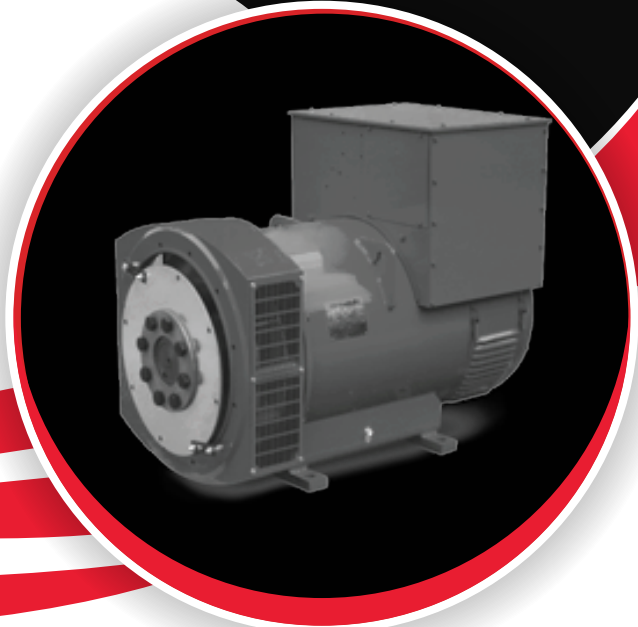




E354F Technical Data Sheet



		CONTROL SYSTEM	SELF EXCITED
INSULATION SYSTEM	CLASS H	A.V.R.	AS440
PROTECTION	IP23	VOLTAGE REGULATION	±1.0 %
WINDING PITCH	2/3	SUSTAINED SHORT CIRCUIT	NOT
WINDING LEADS	12	WAVEFORM DISTORTION	NO LOAD < 1.5% NON-DISTORTING BALANCED LINEAR LOAD < 5.0%
MAXIMUM / OVERSPEED	2250 Rev/Min	TELEPHONE INTERFERENCE: THF	THF < 2%
		TELEPHONE INTERFERENCE: TIF	TIF < 50

50Hz CLASS "H"

RATINGS		Winding 311 / 0.8 Power Factor							
Duty/Ambient T°. RISE		Cont.125K/40°C				Standby - 150/40°			
PHASE		3 PHASE							
SERIES STAR		380	400	415	440	380	400	415	440
PARALLEL STAR		190	200	208	220	190	200	208	220
SERIES DELTA		220	230	240	254	220	230	240	254
DOUBLE DELTA									
SLG354F	KVA	670	670	670	650	710	710	710	690
	KW	536	536	536	520	568	568	568	552

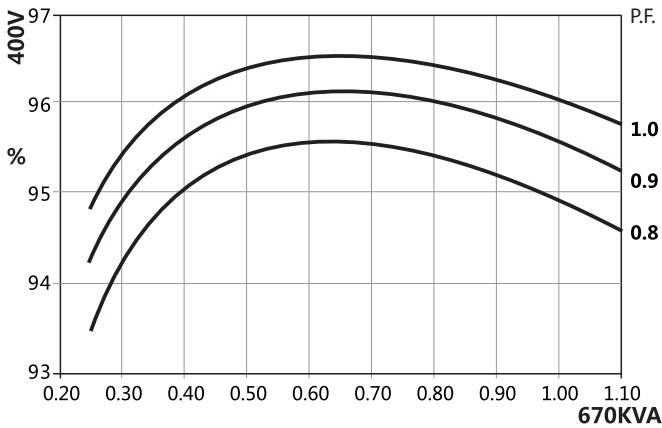
60Hz CLASS "H"

RATINGS		Winding 311 / 0.8 Power Factor							
Duty/Ambient T°. RISE		Cont.125K/40°C				Standby - 150/40°			
PHASE		3 PHASE							
SERIES STAR		416	440	460	480	416	440	460	480
PARALLEL STAR		208	220	230	240	208	220	230	240
SERIES DELTA		240	254	266	277	240	254	266	277
DOUBLE DELTA									
SLG354F	KVA	738	775	800	825	781	819	848	875
	KW	590	620	640	660	625	655	678	700

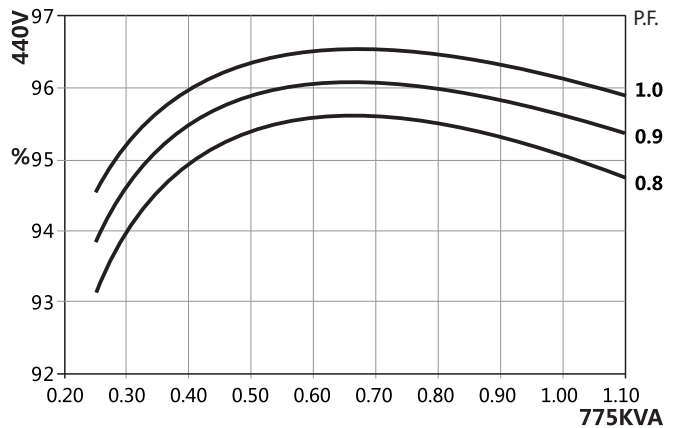
REACTANCES , TIME CONSTANTS (s) : CLASS : H / 400 V

	SLG354F	
	50Hz/400V	60Hz/440V
Xd DIR. AXIS SYNCHRONOUS	2.62	3.13
X'd DIR. AXIS TRANSIENT	0.14	0.15
X''d DIR. AXIS SUBTRANSIENT	0.10	0.10
Xq QUAD. AXIS REACTANCE	2.19	2.50
X''q QUAD. AXIS SUBTRANSIENT	0.23	0.29
XL LEAKAGE REACTANCE	0.04	0.05
X2 NEGATIVE SEQUENCE	0.16	0.20
X0 ZERO SEQUENCE	0.08	0.08
T'd TRANSIENT TIME CONST. (s)	0.08	
T''d SUB-TRANSTIME CONST. (s)	0.012	
T'do O.C. FIELD TIME CONST. (s)	2.5	
Ta ARMATURE TIME CONST. (s)	0.019	
SHORT CIRCUIT RATIO	1/ Xd	

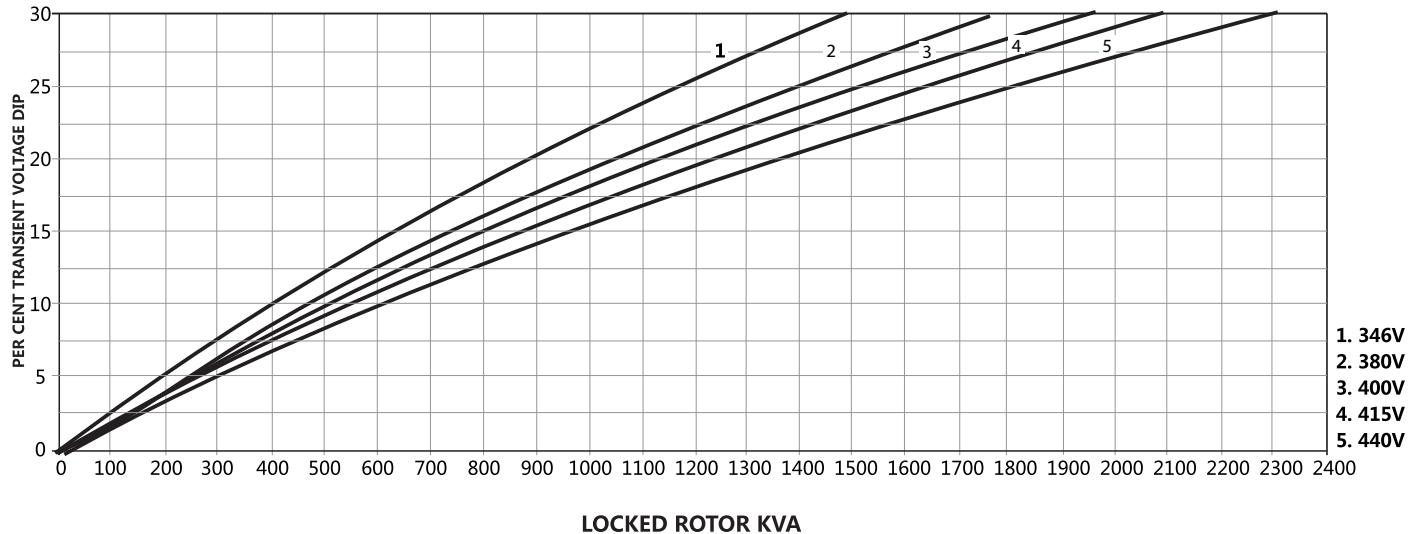
50Hz 400V Winding 311 THREE PHASE EFFICIENCY CURVES



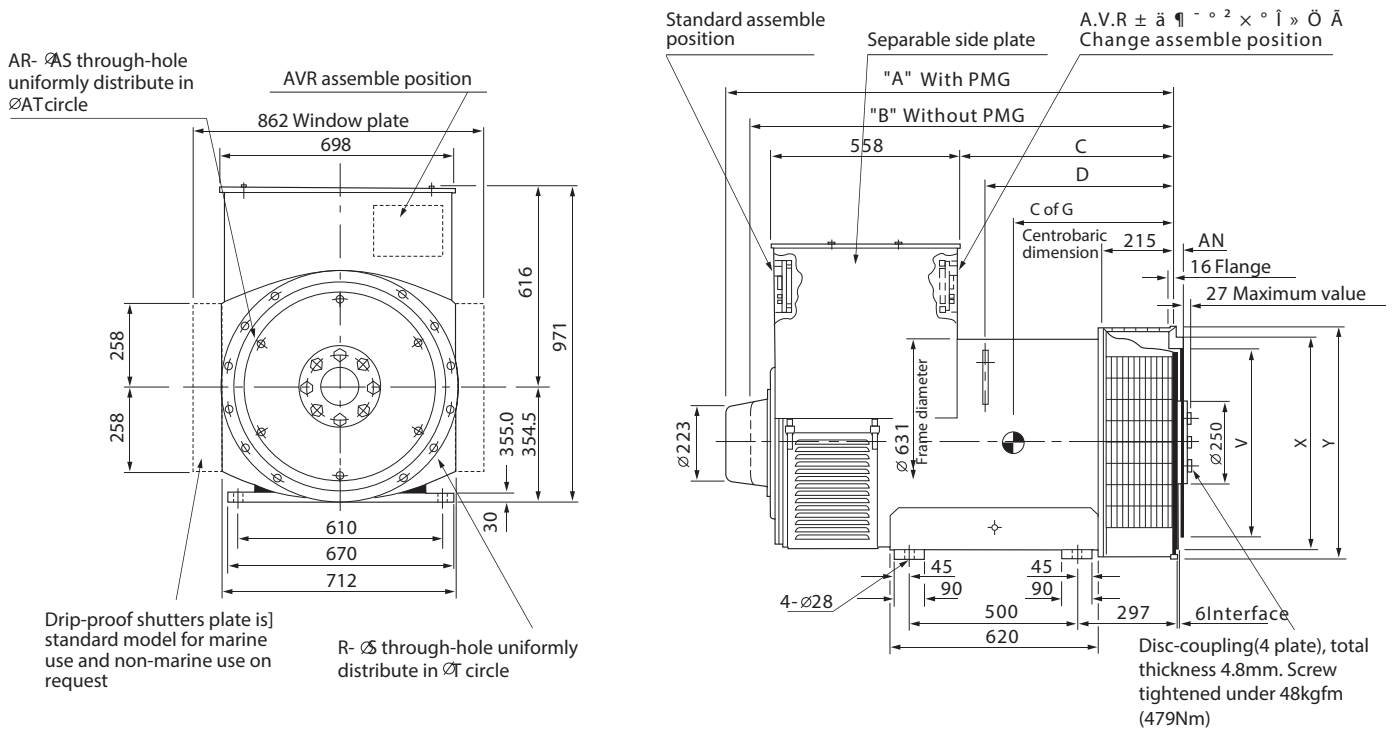
60Hz 440V Winding 311 THREE PHASE EFFICIENCY CURVES



50Hz 400V Winding 311 Locked Rotor Motor Starting Curve



Single bearing external dimension



DIMENSION (mm)					
型号 Model	A	B	C	D	C of G
SLG354F	1412	1341	717	643	620

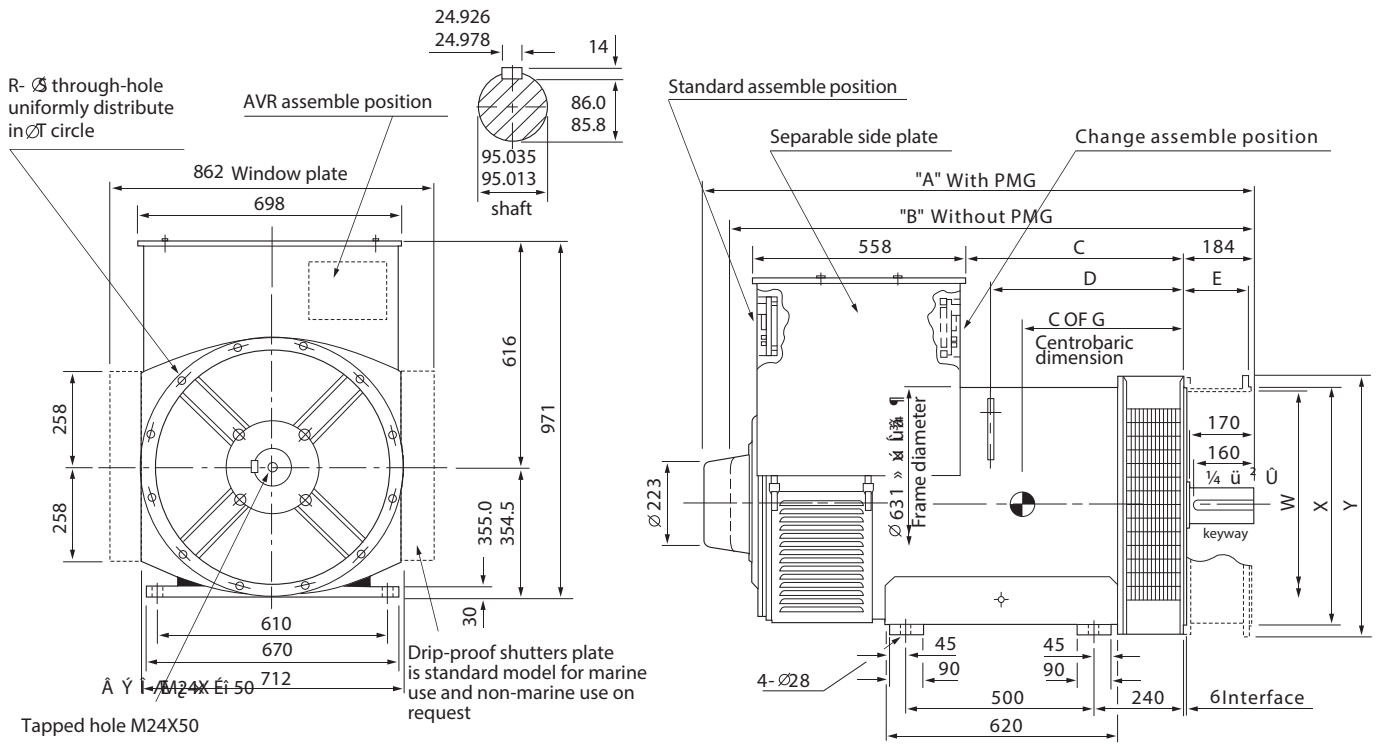
DISC COUPLING (mm)					
S.A.E.NO.	AN	AR	AS	AT	V
14	25.40	8	13.5	438.2	466.6
18	15.87	6	16.7	543.0	571.4
21	0	12	16.7	641.3	673.0

FLANGE (mm)					
S.A.E.NO.	R	S	T	X	Y
00	16	14	850.9	787.3	882
0	16	14	679.5	647.6	702
1/2	12	14	619.1	584.1	702
1	12	12.7	530.2	511.1	702

SAE NO SELECTOR CHOWT		
	SAE14	SAE18
SAE 0	•	•
SAE 0.5	•	
SAE 1	•	

TRANSPORTATION DATA				
型号 Model	N.W(kg)	G.W(kg)	LXWXH(cm)	QTY FOR 20FT CONTAINER
SLG354F	1680	1753	150.2x86.2x117.4	12

Double bearing external dimension



DIMENSION

型号 Model	A	B	C	D	C of G
SLG354F	1593	1468	660	586	565

FLANGE (mm)

S.A.E.NO.	R	S	T	W	X	Y	E
00	16	14	850.9	772	787.3	882	170
0	16	14	679.5	632	647.6	711	170
1/2	12	14	619.1	569	584.1	648	150
1	12	12.7	530.2	496	511.1	553	170

TRANSPORTATION DATA

型号 Model	N.W(kg)	G.W(kg)	LXWXH(cm)	QTY FOR 20FT CONTAINER
SLG354F	1690	1790	170x95x116	