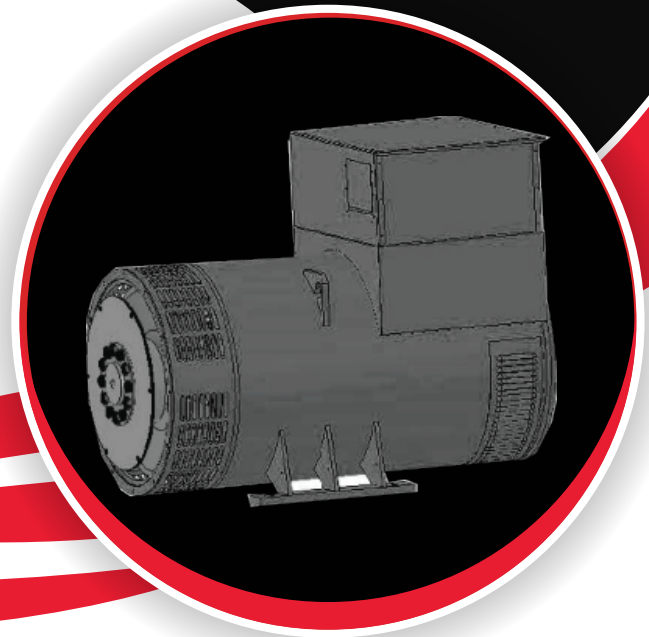




E404A Technical Data Sheet



	CLASS H	CONTROL SYSTEM	SELF EXCITED
INSULATION SYSTEM	CLASS H	A.V.R.	AS440
PROTECTION	IP23	VOLTAGE REGULATION	±1.0 %
WINDING PITCH	TWO THIRDS	SUSTAINED SHORT CIRCUIT	NOT
INDING LEADS	12	WAVEFORM DISTORTION	NO LOAD < 1.5% NON-DISTORTING BALANCED LINEAR LOAD < 5.0%
MAXIMUM OVERSPEED	2250 Rev/Min	TELEPHONE INTERFERENCE: THF	THF < 2%
		TELEPHONE INTERFERENCE: TIF	TIF < 50

50Hz CLASS "H"

RATINGS		Winding 311 / 0.8 Power Factor					
Duty/Ambient T° . RISE		Cont.125K/40 °C			Standby - 150/40 °		
PHASE		3 PHASE					
SERIES STAR		380	400	415	380	400	415
PARALLEL STAR		190	200	208	190	200	208
SERIES DELTA		220	230	240	220	230	240
SLG404A	KVA	750	750	750	787.5	787.5	787.5
	KW	600	600	600	630	630	630

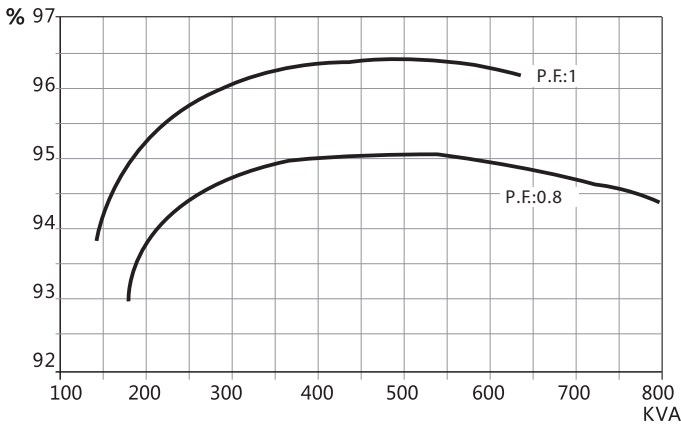
60Hz CLASS "H"

RATINGS		Winding 311 / 0.8 Power Factor							
Duty/Ambiant T° . RISE		Cont.125K/40 °C			Standby - 150/40 °				
PHASE		3 PHASE							
SERIES STAR		416	440	460	480	416	440	460	480
PARALLEL STAR		208	220	230	240	208	220	230	240
SERIES DELTA		240	254	266	277	240	254	266	277
	KVA	800	800	800		840	840	840	
	KW	640	640	640		672	672	672	

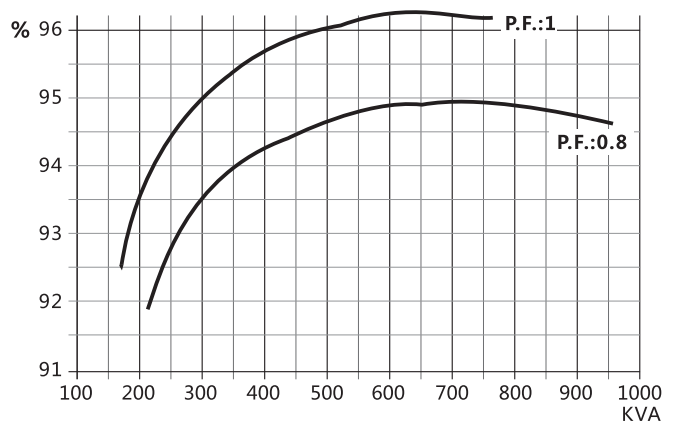
REACTANCES , TIME CONSTANTS (s) : CLASS : H / 400 V

	SLG404A	
	50Hz/400V	60Hz/440V
Xd DIR. AXIS SYNCHRONOUS	4.11	4.29
X'd DIR. AXIS TRANSIENT	0.453	0.472
X''d DIR. AXIS SUBTRANSIENT	0.226	0.236
Xq QUAD. AXIS REACTANCE	2.72	2.83
X''q QUAD. AXIS SUBTRANSIENT	0.215	0.215
XL LEAKAGE REACTANCE		
X2 NEGATIVE SEQUENCE	0.182	0.182
X0 ZERO SEQUENCE	0.025	0.025
T'd TRANSIENT TIME CONST. (s)	0.16	
T''d SUB-TRANSTIME CONST. (s)	0.016	
T'do O.C. FIELD TIME CONST. (s)	1.5	
Ta ARMATURE TIME CONST. (s)	0.024	
SHORT CIRCUIT RATIO	1/ Xd	

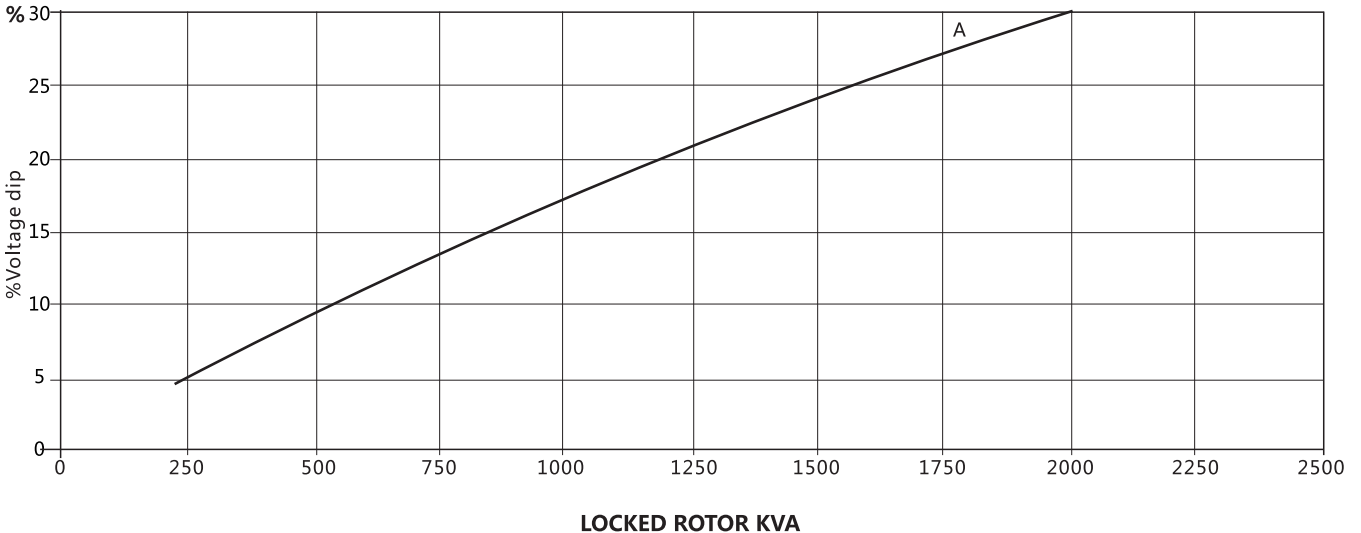
50Hz 400V Winding 311 THREE PHASE EFFICIENCY CURVES

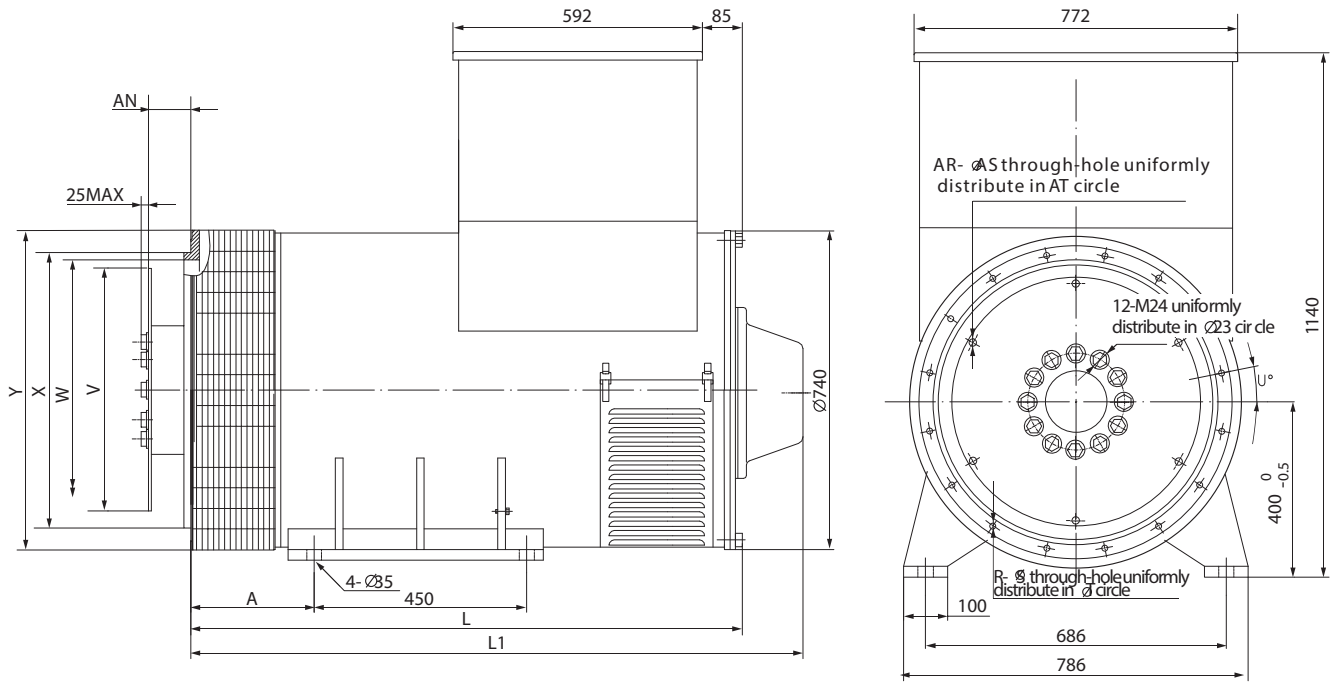


60Hz 440V Winding 311 THREE PHASE EFFICIENCY CURVES



50Hz 400V Winding 311 Locked Rotor Motor Starting Curve





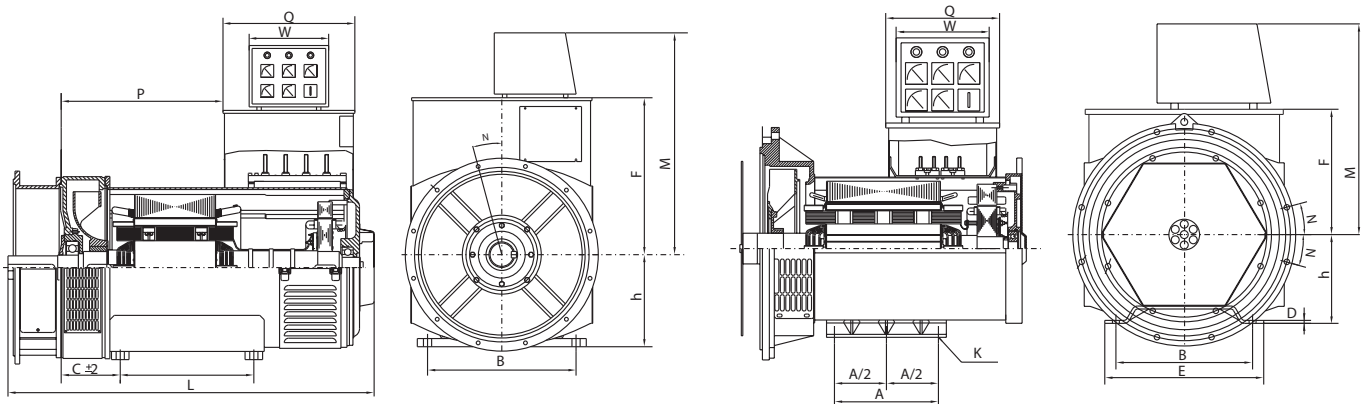
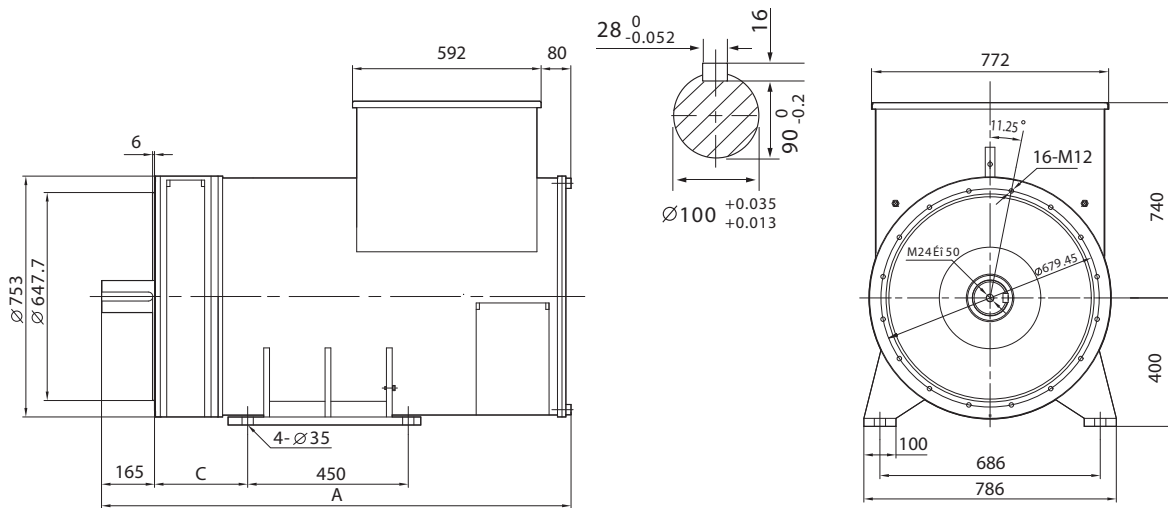
DIMENSION (mm)				
SAE00	Model	A	L	L1
	SLG404A	347	1385	1550
SAE0&0.5&1	SLG404A	337	1375	1540

FLANGE							
S.A.E.NO.	R	S	T	W	X	Y	U
00	16	14	851.0	750	787.3	882	11.25
0	16	14	679.5	632	647.6	748	11.25
1/2	12	14	619.1	560	584.1	748	15
1	12	12.7	530.2	495	511.1	748	15

DISC COUPLING (mm)						
S.A.E.NO.	AN	AR	AS	AT	V	
14	25.4	8	13.5	438.2	466.6	
18	15.87	6	16.7	543.0	571.4	
21	0	12	16.7	641.3	673.0	

SAE NO SELECTOR CHOWT			
	SAE14	SAE18	SAE21
SAE 00		•	•
SAE 0	•	•	
SAE 0.5	•		
SAE 1	•		

TRANSPORTATION DATA				
Model	N.W(kg)	G.W(kg)	LXWXH(cm)	QTY FOR 20FT CONTAINER



Frame (mm)				
Model	C	A	N.W(kg)	G.W(kg)
v404A	317	1530	1426	1526

Frame (mm)															
Model	A	A/2	D	E	F	h	K	M	N	Q	W	B	P	C	L
v404A	450			786	608	400	4-Ø35	840	15°	570	350	686			

TRANSPORTATION DATA				
Model	N.W(kg)	G.W(kg)	LXWXH(cm)	QTY FOR 20FT CONTAINER
404A				