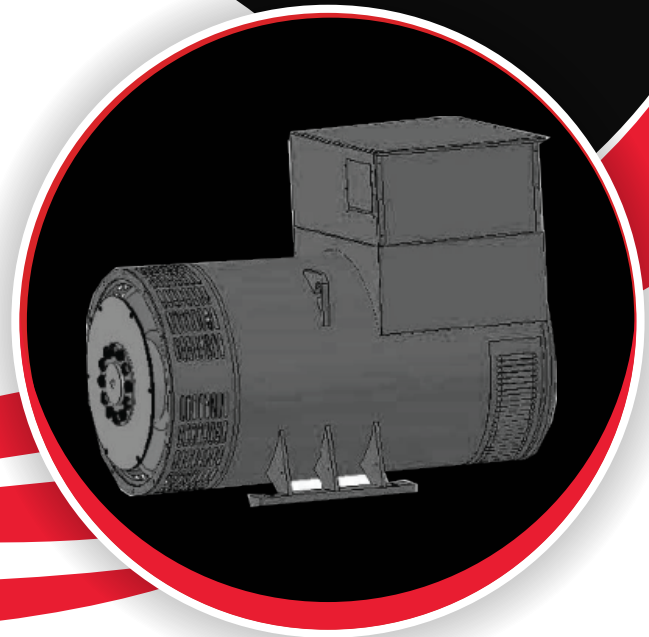


E404G Technical Data Sheet



		CONTROL SYSTEM	SELF EXCITED
INSULATION SYSTEM	CLASS H	A.V.R.	AS440
PROTECTION	IP23	VOLTAGE REGULATION	±1.0 %
WINDING PITCH	TWO THIRDS	SUSTAINED SHORT CIRCUIT	NOT
INDING LEADS	12	WAVEFORM DISTORTION	NO LOAD < 1.5% NON-DISTORTING BALANCED LINEAR LOAD < 5.0%
MAXIMUM OVERSPEED	2250 Rev/Min	TELEPHONE INTERFERENCE: THF	THF < 2%
		TELEPHONE INTERFERENCE: TIF	TIF < 50

50Hz CLASS "H"

RATINGS		Winding 311 / 0.8 Power Factor					
Duty/Ambiant T° . RISE		Cont.125K/40 °C			Standby - 150/40 °		
PHASE		3 PHASE					
SERIES STAR		380	400	415	380	400	415
PARALLEL STAR		190	200	208	190	200	208
SERIES DELTA		220	230	240	220	230	240
SLG404G	KVA	800	800	800	837.5	837.5	837.5
	KW	640	640	640	670	670	670

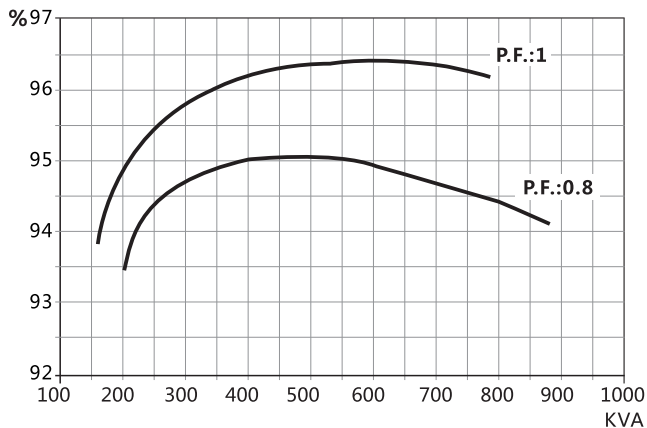
60Hz CLASS "H"

RATINGS		Winding 311 / 0.8 Power Factor							
Duty/Ambiant T° . RISE		Cont.125K/40 °C				Standby - 150/40 °			
PHASE		3 PHASE							
SERIES STAR		416	440	460	480	416	440	460	480
PARALLEL STAR		208	220	230	240	208	220	230	240
SERIES DELTA		240	254	266	277	240	254	266	277
SLG404G	KVA	900	900	900		945	945	945	
	KW	720	720	720		756	756	756	

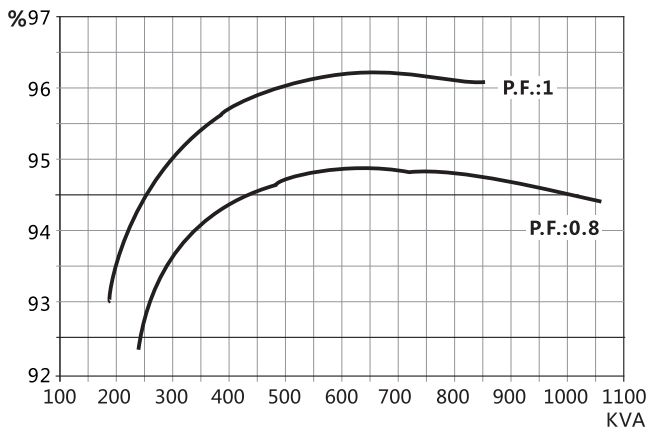
REACTANCES , TIME CONSTANTS (s) : CLASS : H / 400 V

	SLG404G	
	50Hz/400V	60Hz/440V
Xd DIR. AXIS SYNCHRONOUS	3.45	3.56
X'd DIR. AXIS TRANSIENT	0.382	0.371
X''d DIR. AXIS SUBTRANSIENT	0.186	0.195
Xq QUAD. AXIS REACTANCE	2.36	2.43
X''q QUAD. AXIS SUBTRANSIENT	0.246	0.246
XL LEAKAGE REACTANCE		
X2 NEGATIVE SEQUENCE	0.147	0.147
X0 ZERO SEQUENCE	0.025	0.025
T'd TRANSIENT TIME CONST. (s)	0.16	
T''d SUB-TRANSTIME CONST. (s)	0.016	
T'do O.C. FIELD TIME CONST. (s)	1.5	
Ta ARMATURE TIME CONST. (s)	0.024	
SHORT CIRCUIT RATIO	1/ Xd	

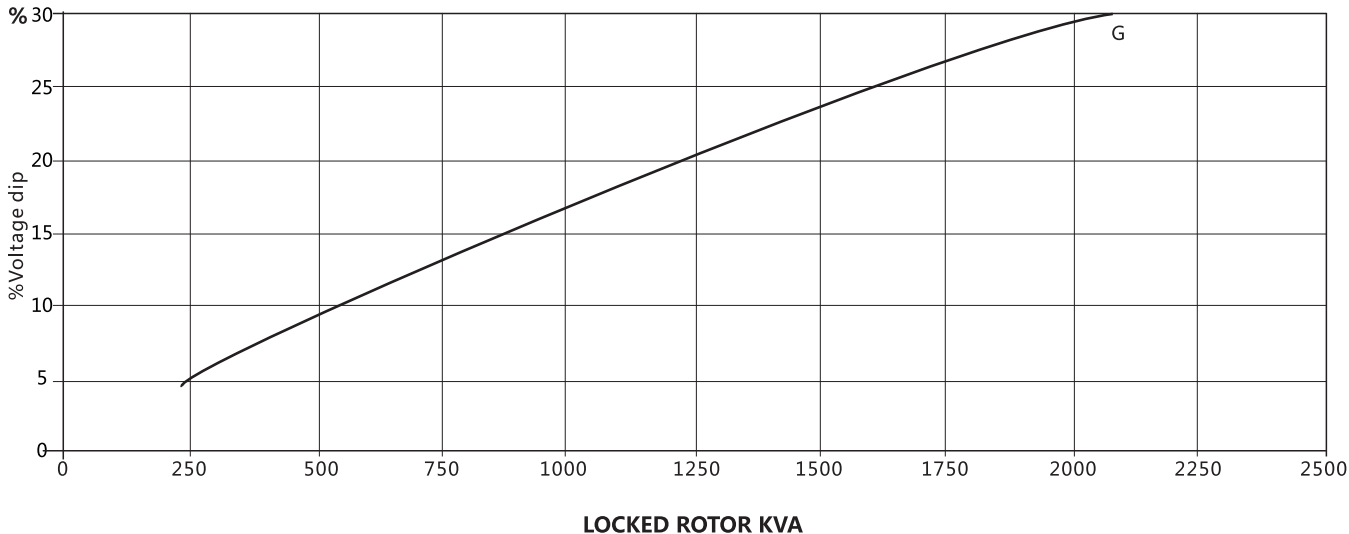
50Hz 400V Winding 311 THREE PHASE EFFICIENCY CURVES

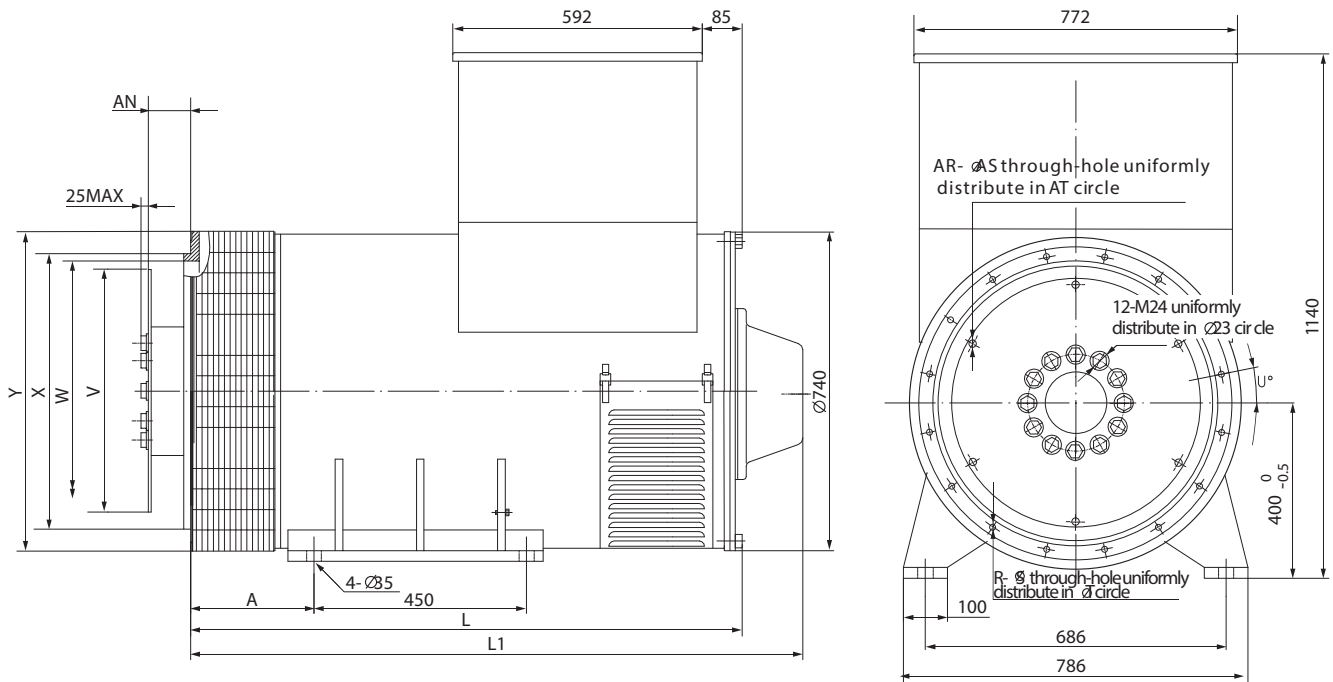


60Hz 440V Winding 311 THREE PHASE EFFICIENCY CURVES



50Hz 400V Winding 311 Locked Rotor Motor Starting Curve





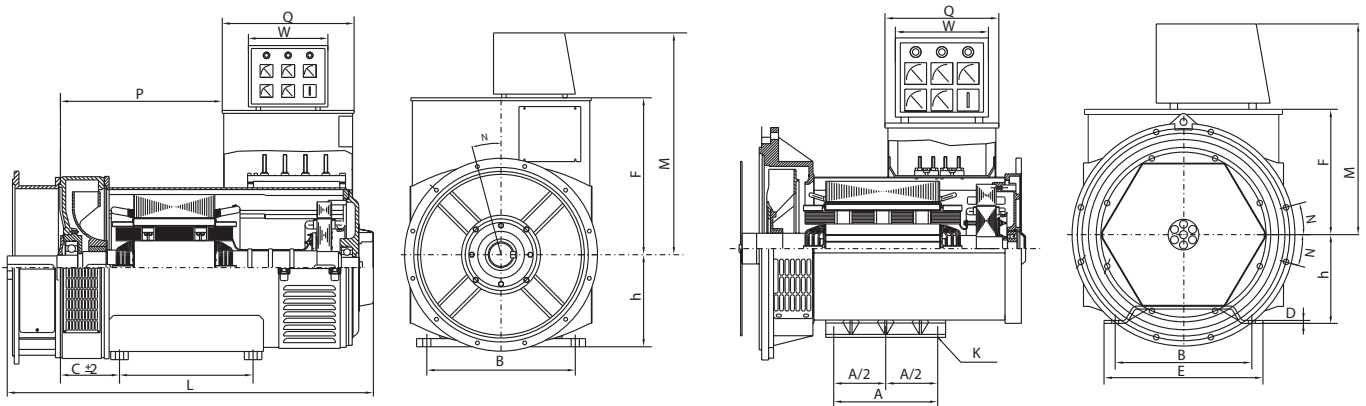
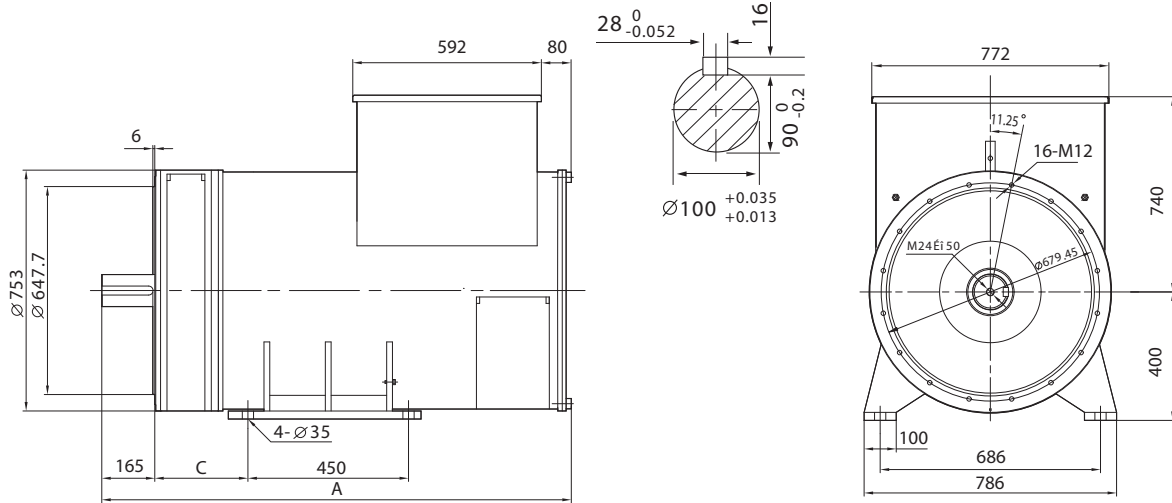
DIMENSION (mm)				
SAE00	Model	A	L	L1
	SLG404G	347	1435	1600
SAE0&0.5&1	SLG404G	337	1425	1590

FLANGE							
S.A.E.NO.	R	S	T	W	X	Y	U
00	16	14	851.0	750	787.3	882	11.25
0	16	14	679.5	632	647.6	748	11.25
1/2	12	14	619.1	560	584.1	748	15
1	12	12.7	530.2	495	511.1	748	15

DISC COUPLING						
S.A.E.NO.	AN	AR	AS	AT	V	
14	25.4	8	13.5	438.2	466.6	
18	15.87	6	16.7	543.0	571.4	
21	0	12	16.7	641.3	673.0	

SAE NO SELECTOR CHOWT			
	SAE14	SAE18	SAE21
SAE 00		•	•
SAE 0	•	•	
SAE 0.5	•		
SAE 1	•		

TRANSPORTATION DATA				
Model	N.W(kg)	G.W(kg)	LXWXH(cm)	QTY FOR 20FT CONTAINER



Frame (mm)

Model	C	A	N.W(kg)	G.W(kg)
V404G	317	1580	1590	1690

Frame (mm)

Model	A	A/2	D	E	F	h	K	M	N	Q	W	B	P	C	L
V404	450			786	608	400	4- $\varnothing 35$	840	15°	570	350	686			

TRANSPORTATION DATA

Model	N.W(kg)	G.W(kg)	LXWXH(cm)	QTY FOR 20FT CONTAINER
V404	1590	1690	1580x786x400	1